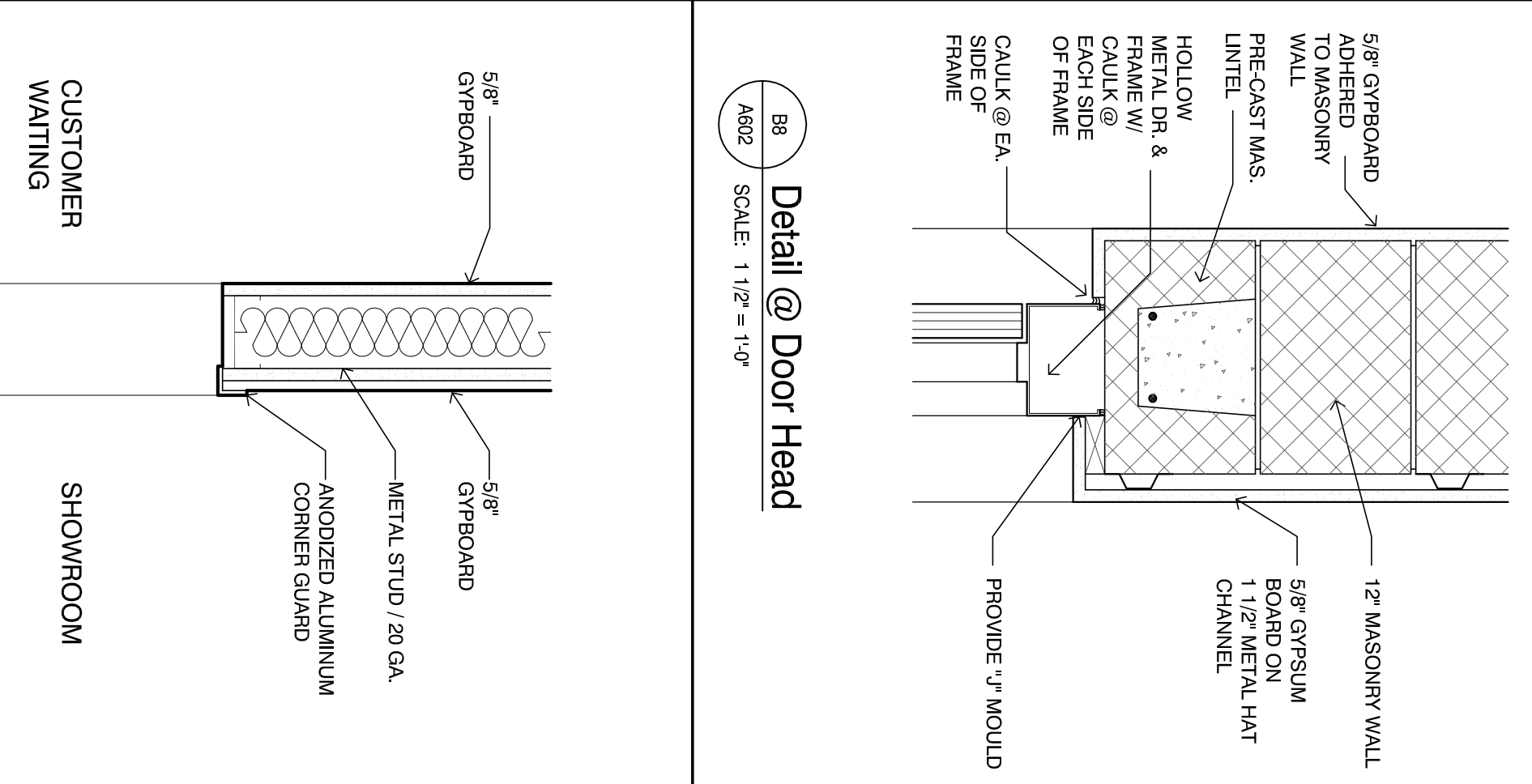




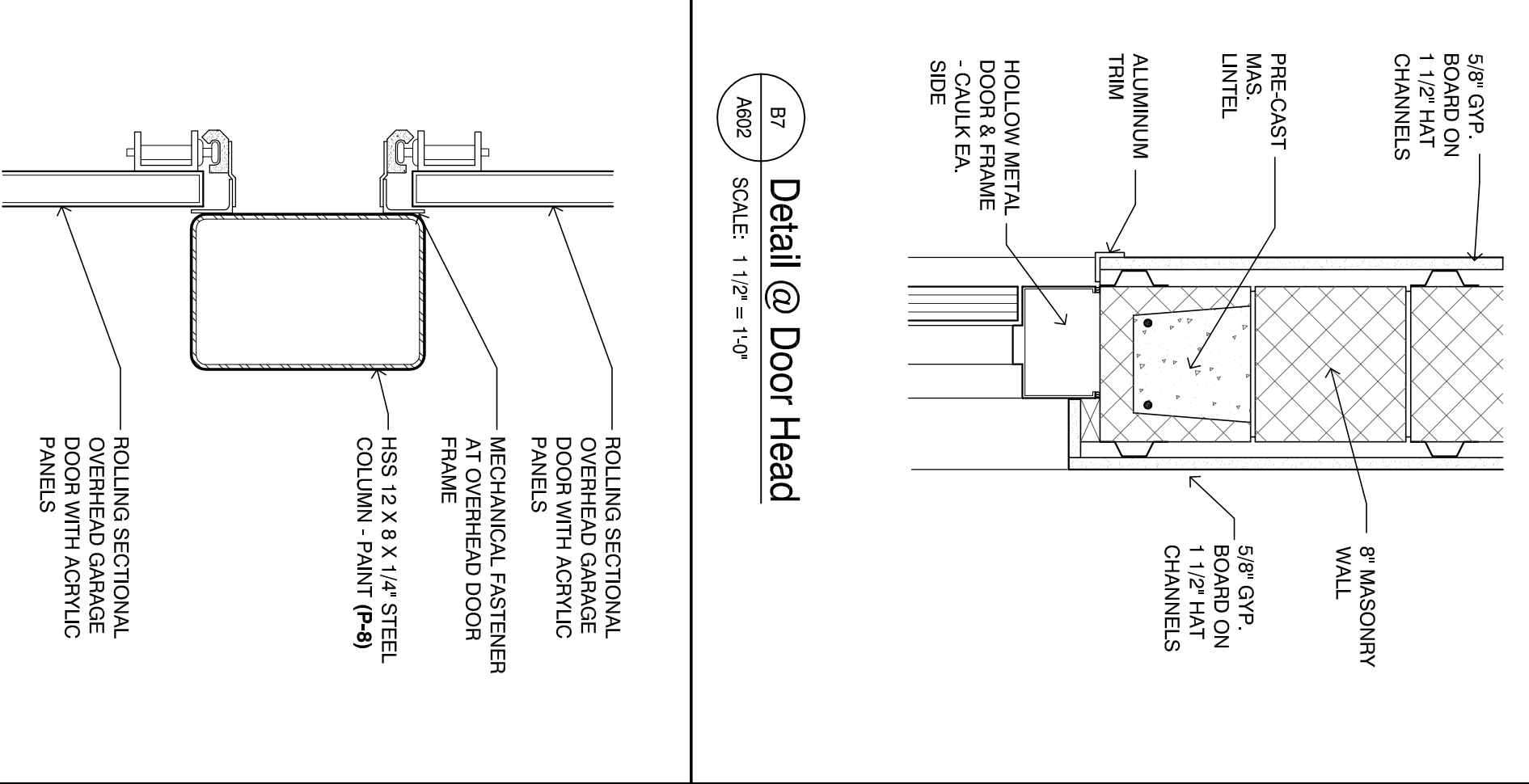
CHRISTOPHER ROBERT ARCHITECTS
A PROFESSIONAL CORPORATION

659 E. Durant Avenue
Royal Oak, MI 48067
248.258.6495 (O)
248.330.9395 (C)
cra@crb.com

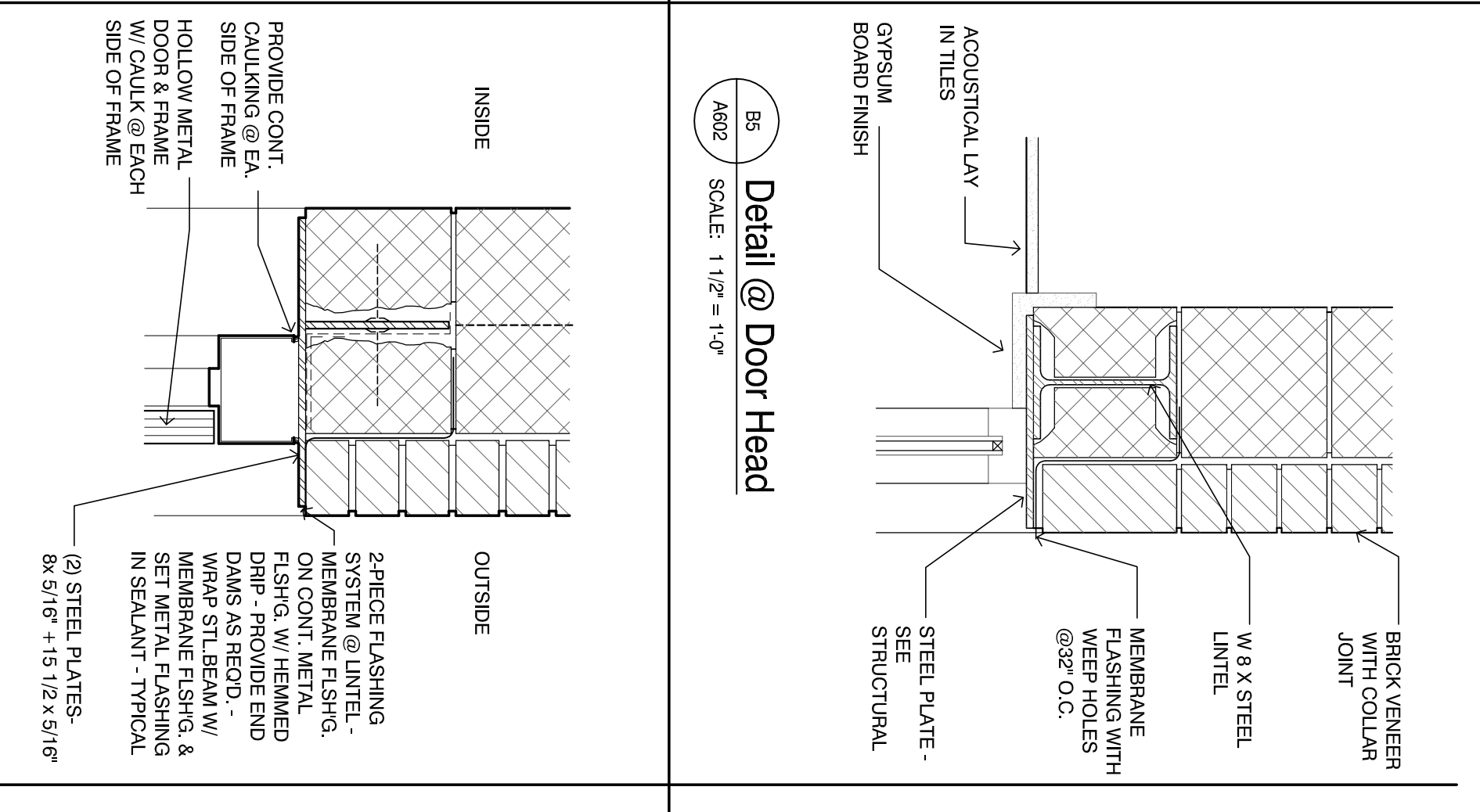
Owner:



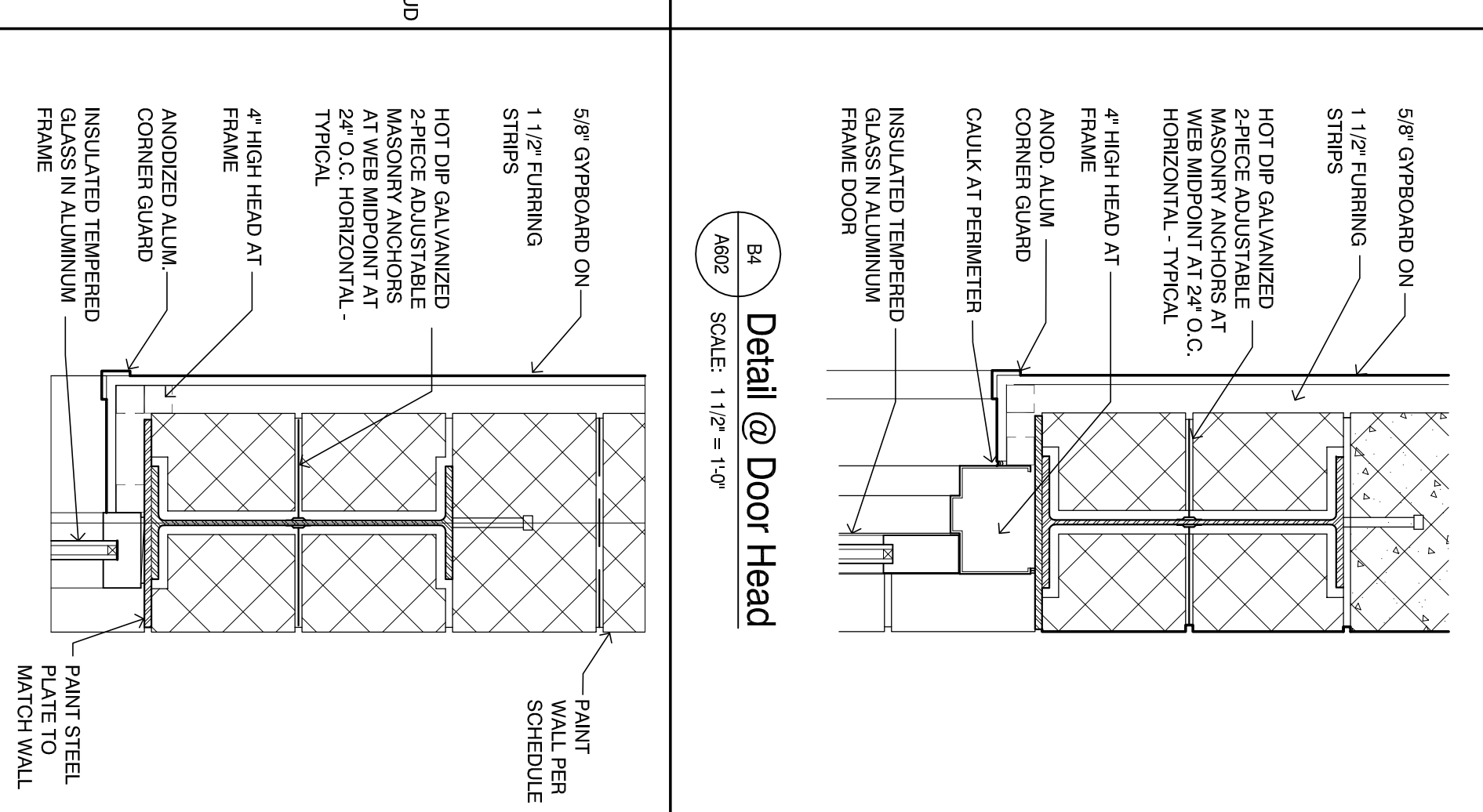
B8 Detail @ Door Head
SCALE: 1 1/2" = 1'-0"



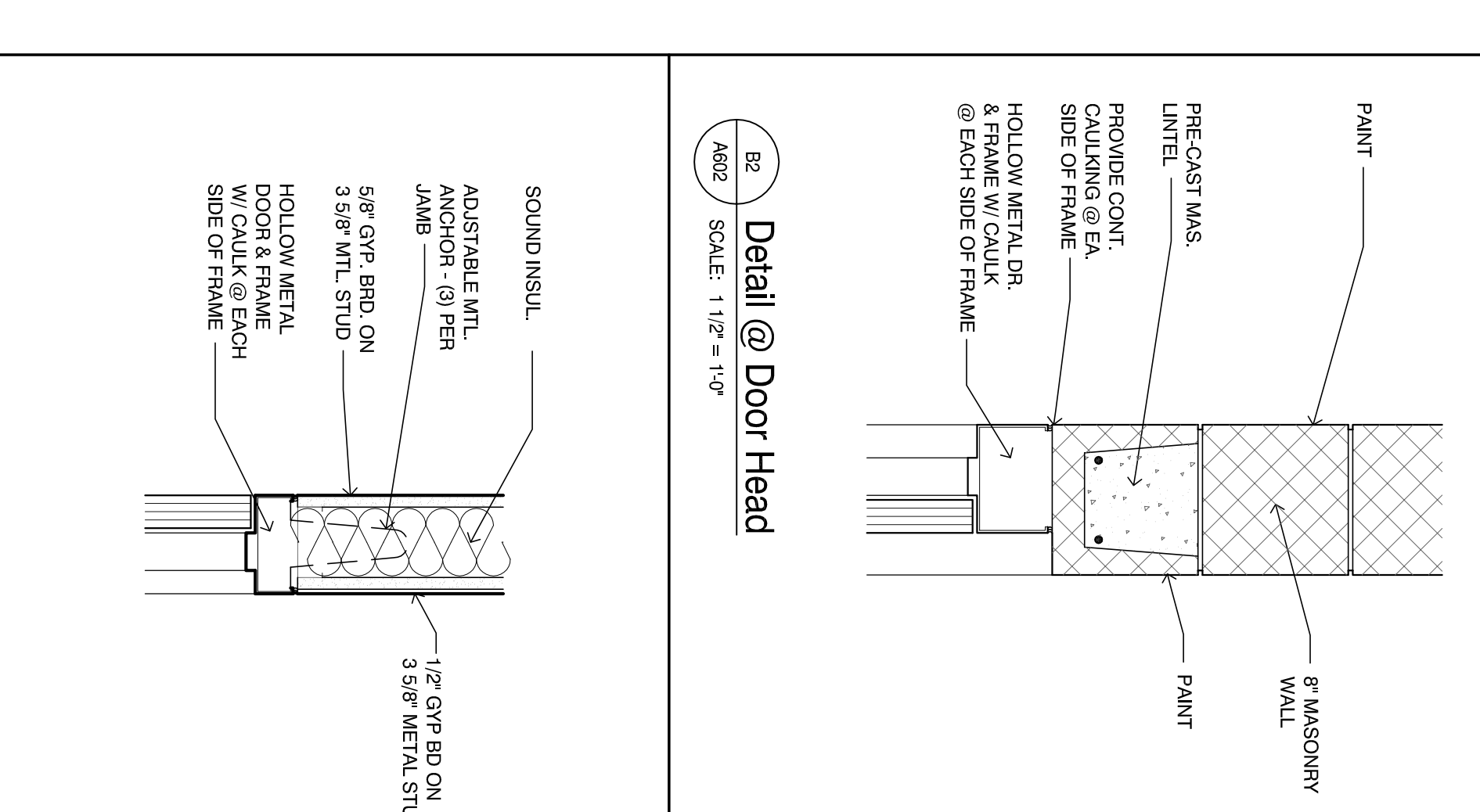
B7 Detail @ Door Head
SCALE: 1 1/2" = 1'-0"



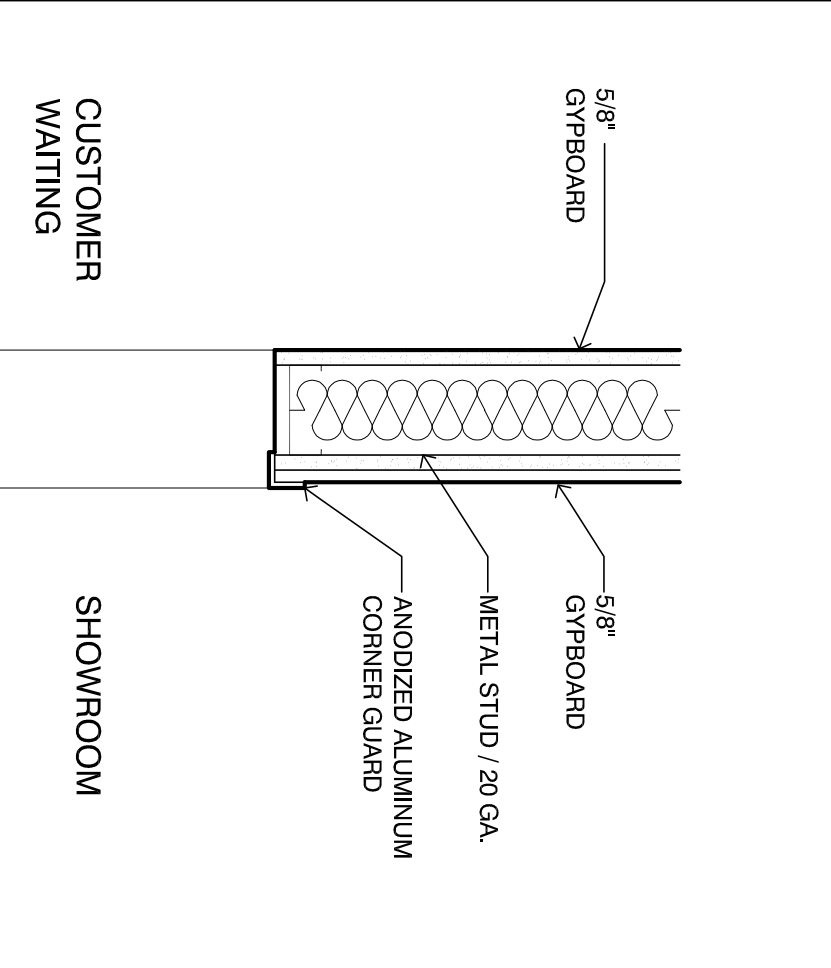
B5 Detail @ Door Head
SCALE: 1 1/2" = 1'-0"



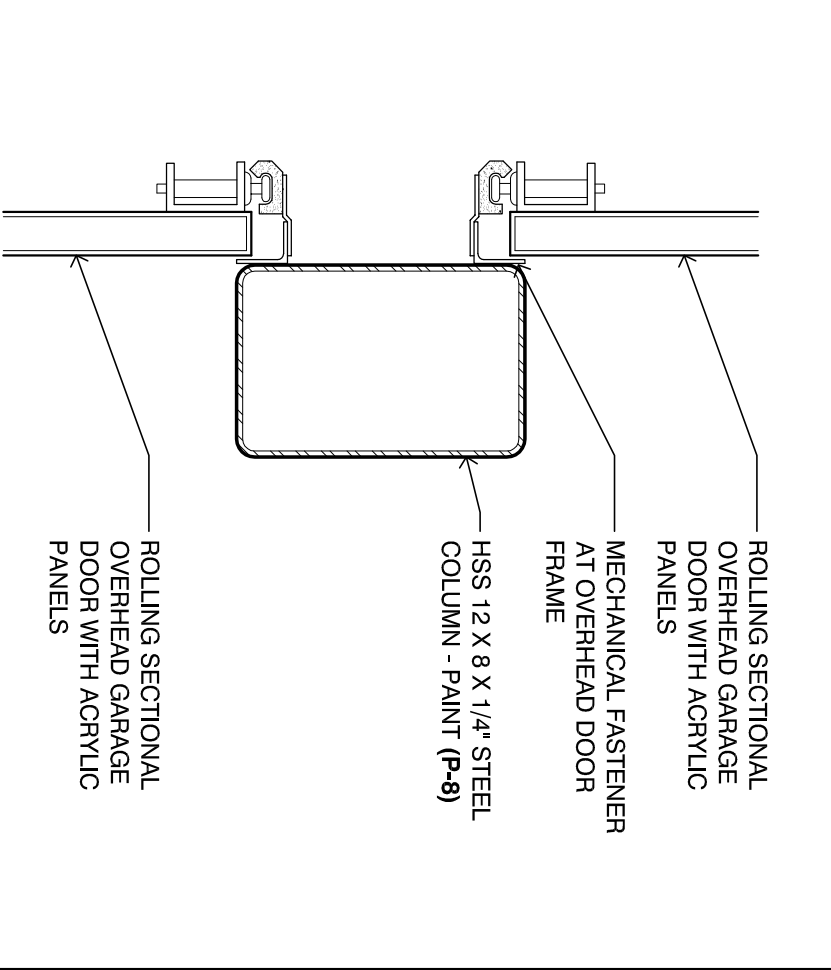
B4 Detail @ Door Head
SCALE: 1 1/2" = 1'-0"



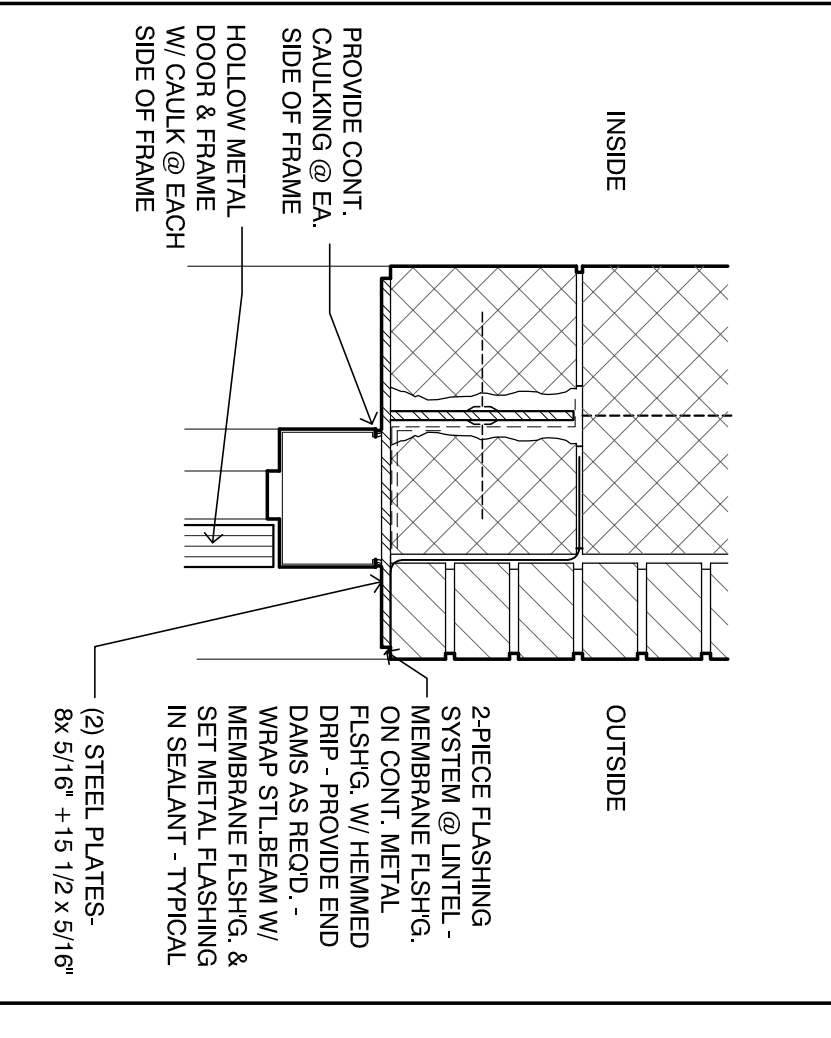
B2 Detail @ Door Head
SCALE: 1 1/2" = 1'-0"



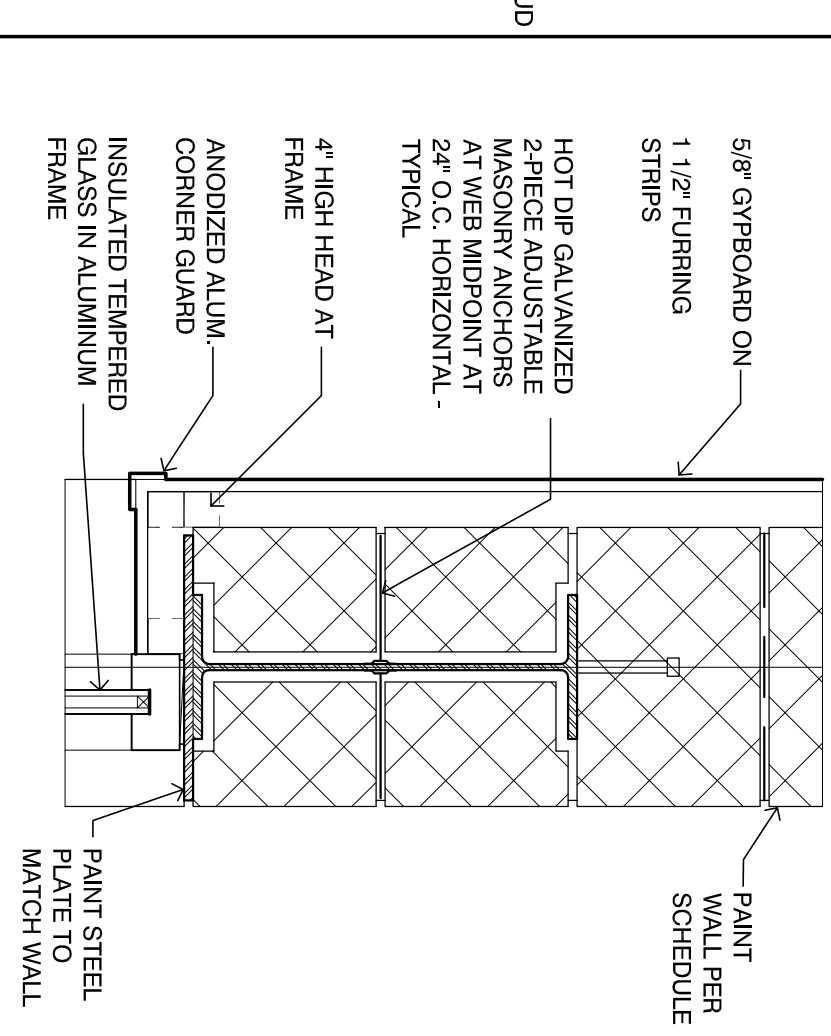
C8 Detail @ Framed Arch
SCALE: 1 1/2" = 1'-0"



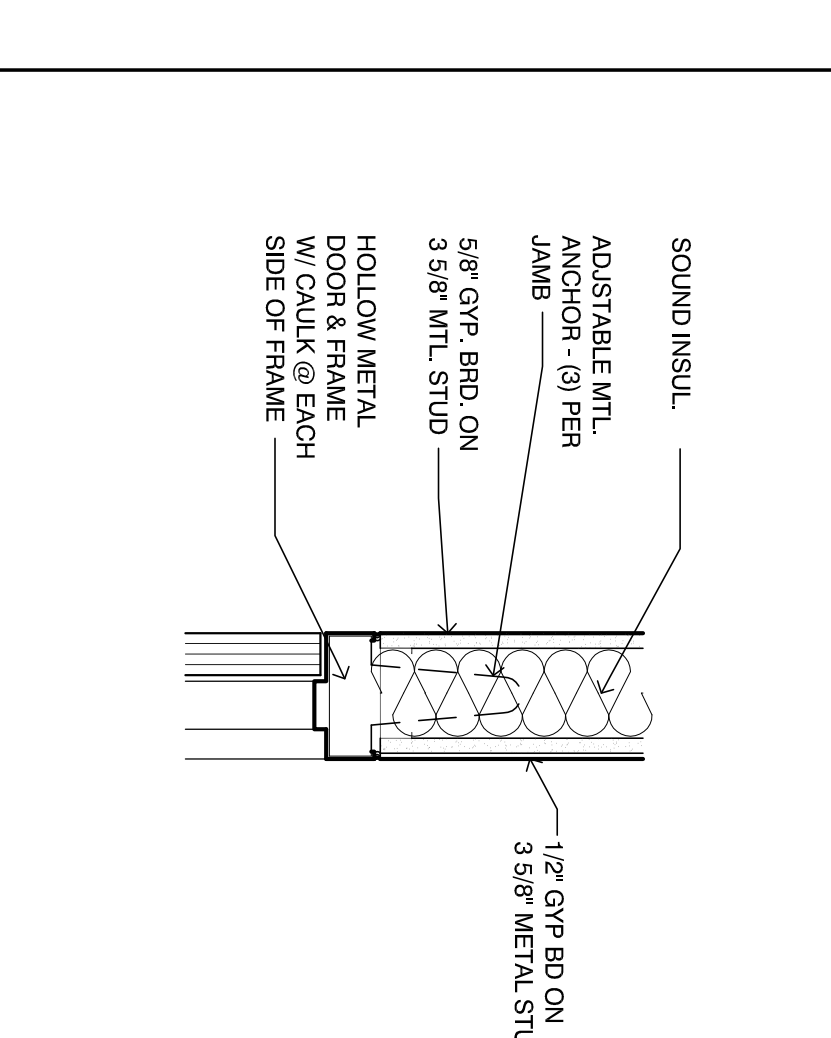
C7 Detail @ Door Jamb
SCALE: 1 1/2" = 1'-0"



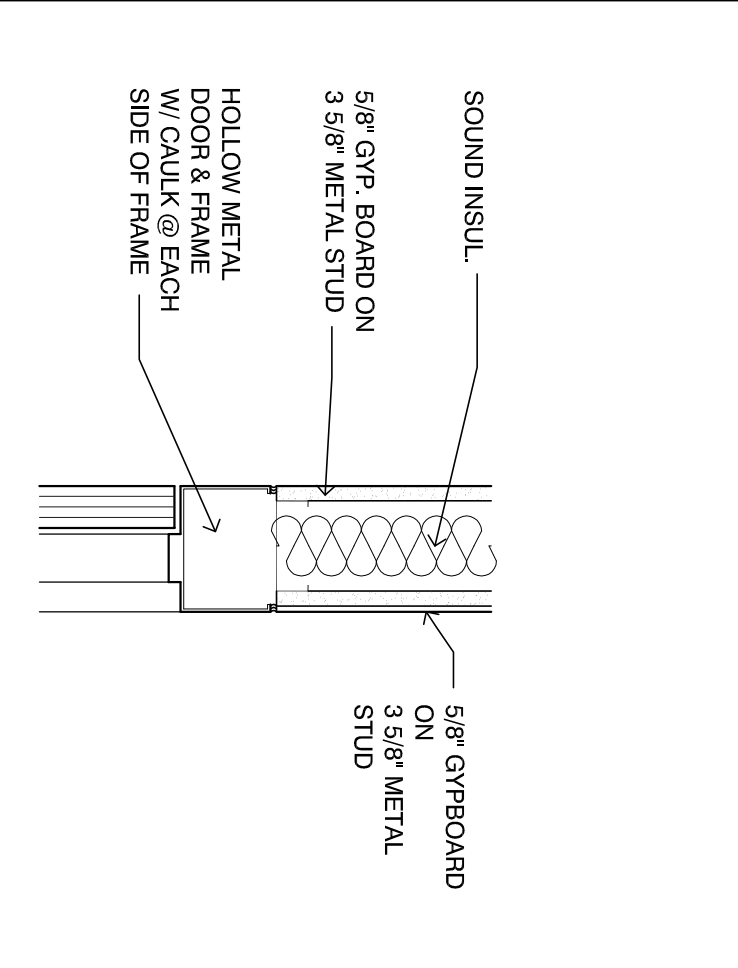
C5 Detail @ Door Head
SCALE: 1 1/2" = 1'-0"



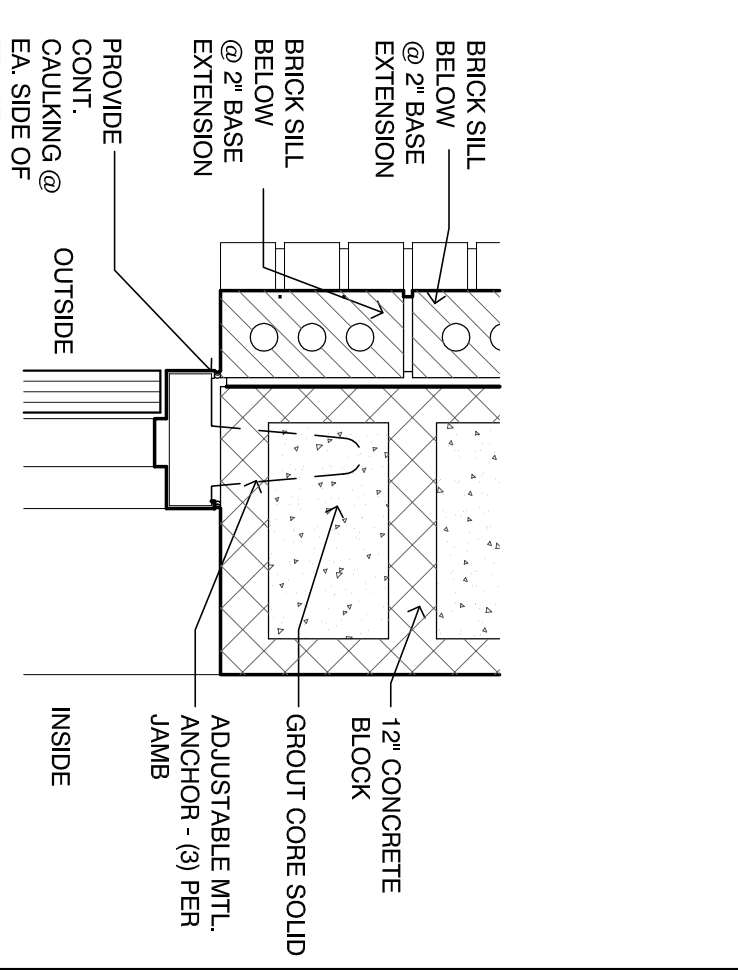
C4 Detail @ Window Head
SCALE: 1 1/2" = 1'-0"



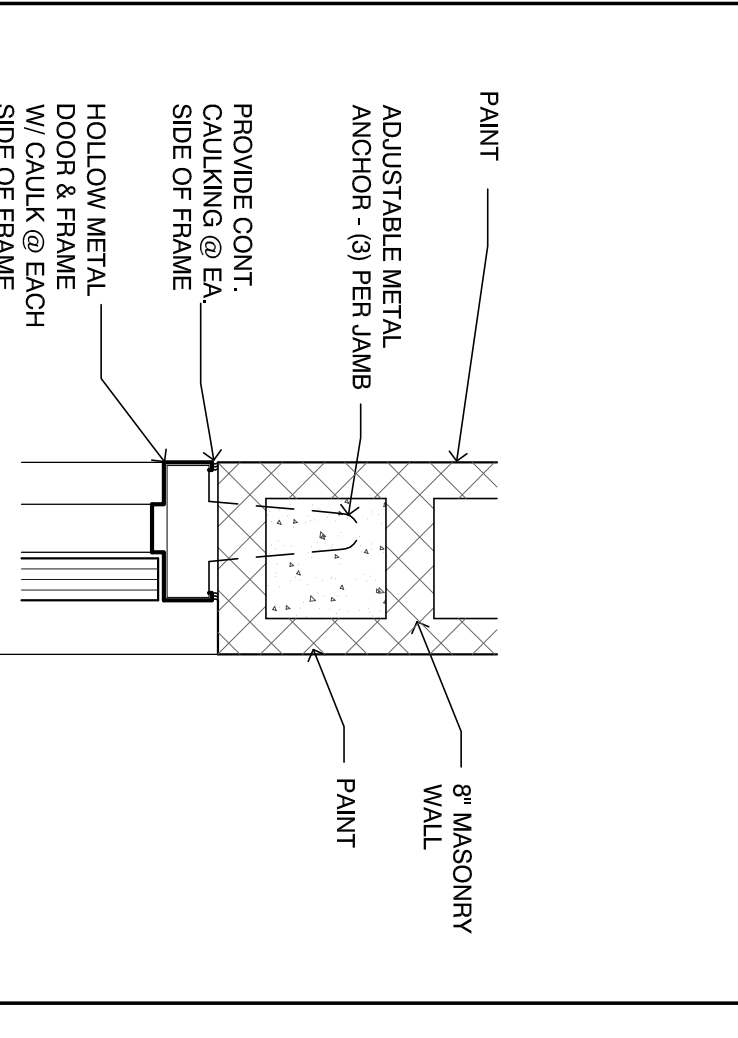
C2 Detail @ Door Head / Jamb
SCALE: 1 1/2" = 1'-0"



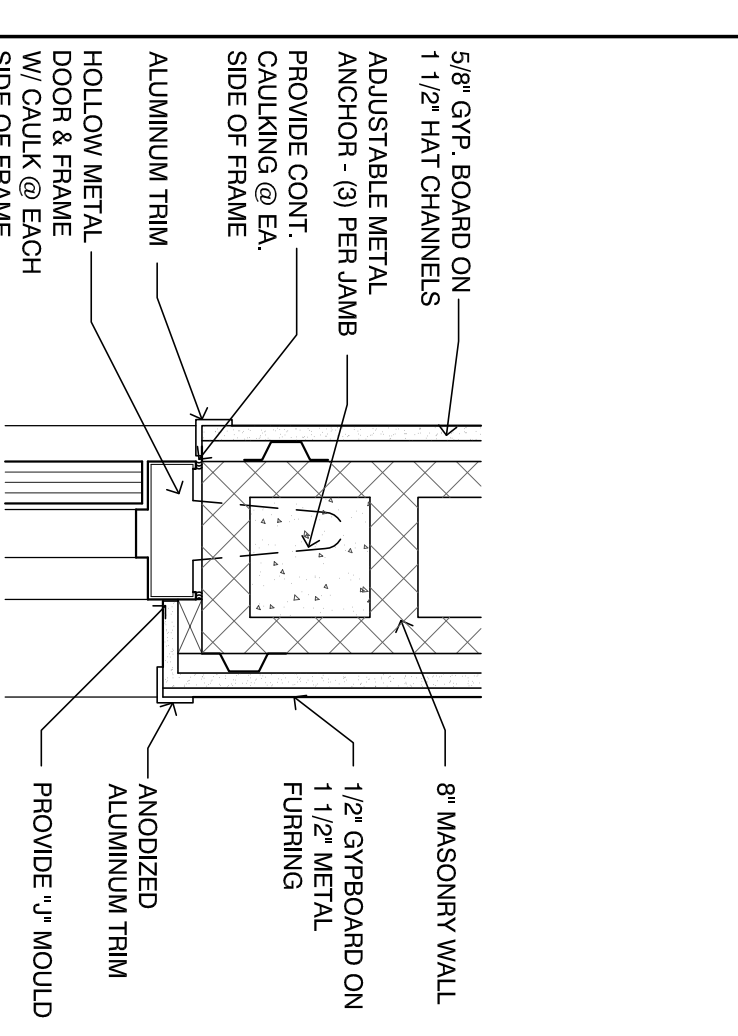
E8 Detail @ Door Head
SCALE: 1 1/2" = 1'-0"



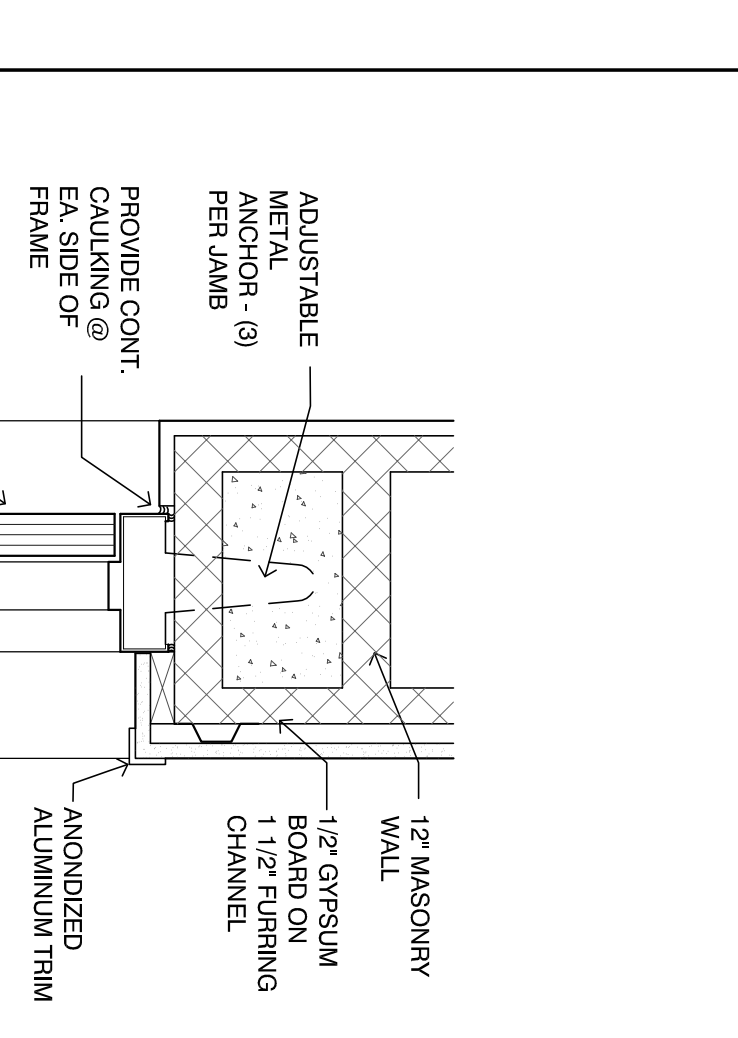
E7 Detail @ Door Jamb
SCALE: 1 1/2" = 1'-0"



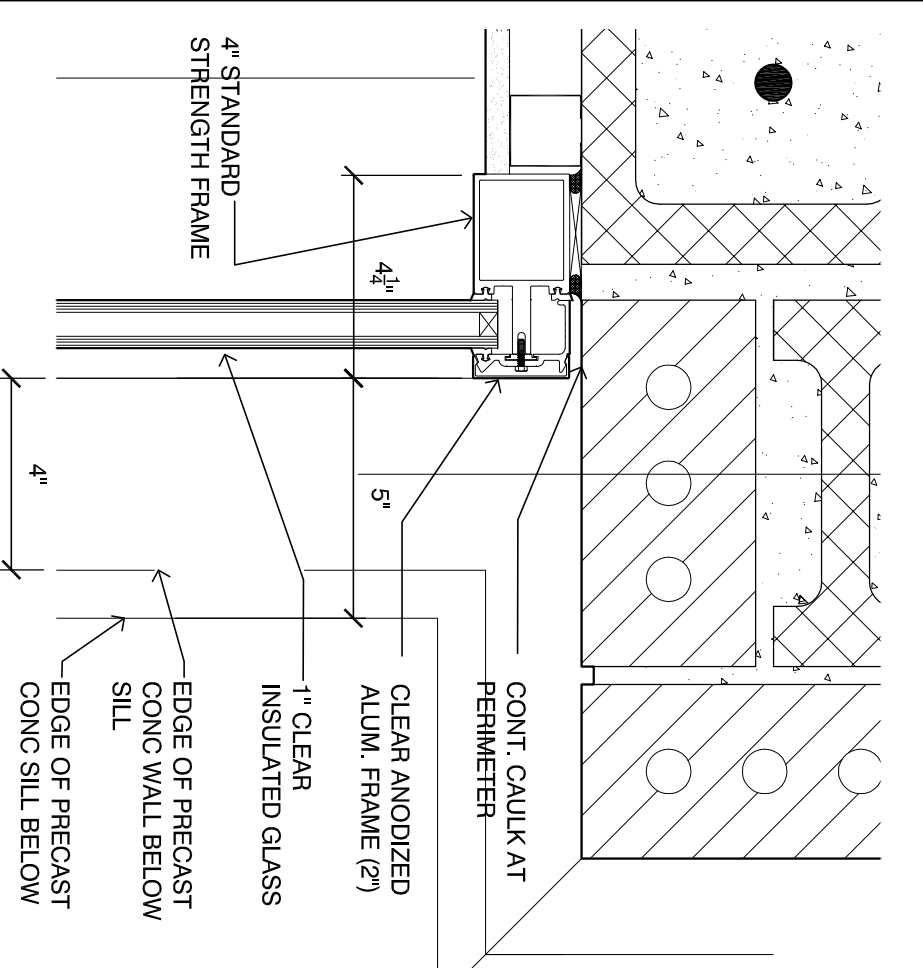
E5 Detail @ Door Jamb
SCALE: 1 1/2" = 1'-0"



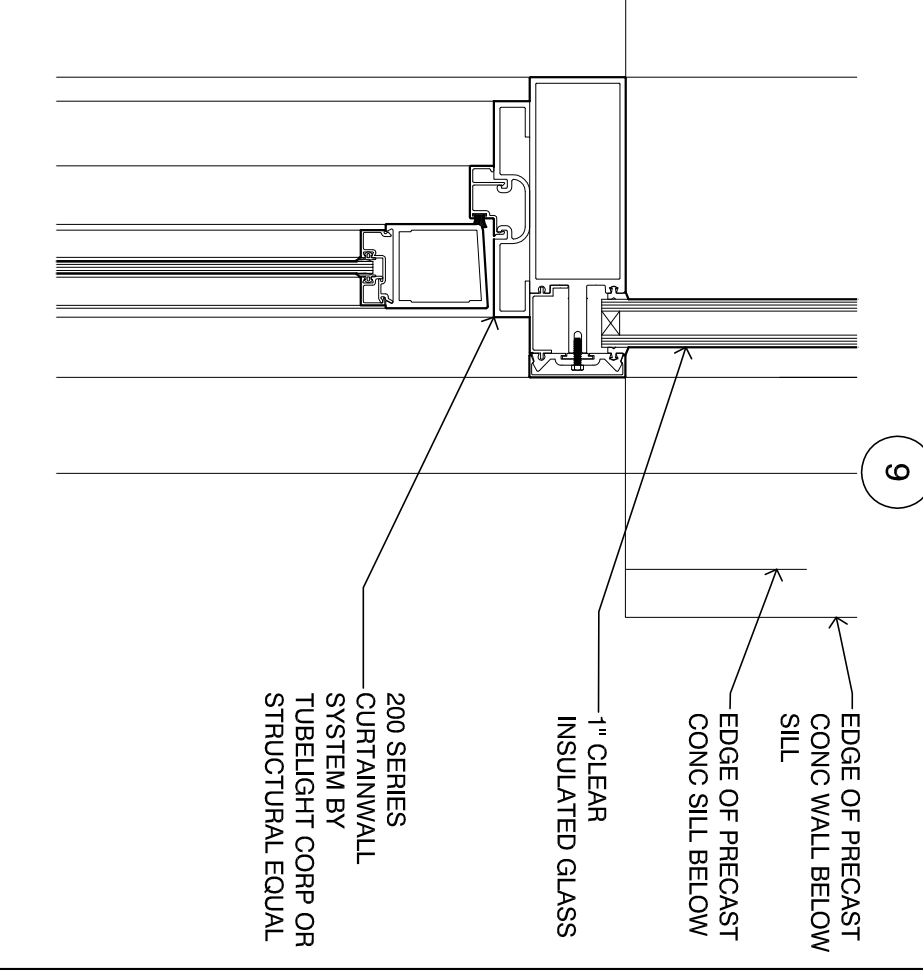
E4 Detail @ Door Jamb
SCALE: 1 1/2" = 1'-0"



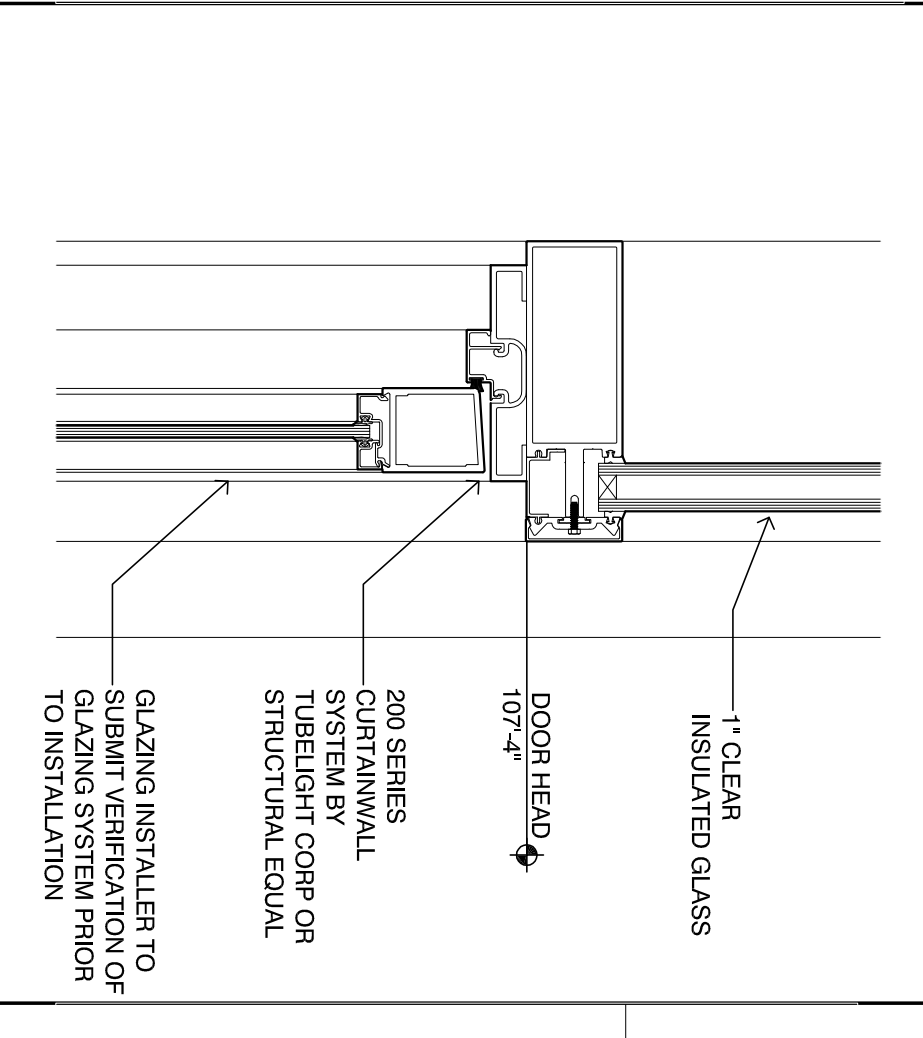
E2 Detail @ Door Jamb
SCALE: 1 1/2" = 1'-0"



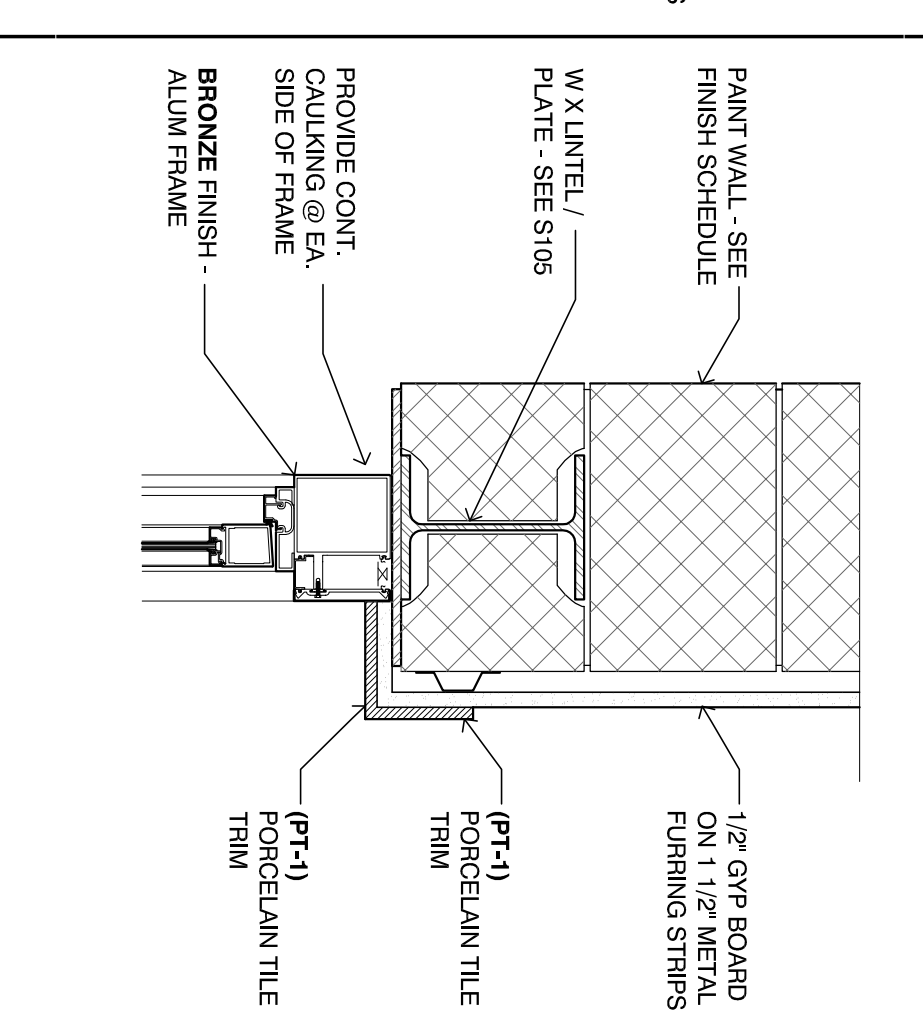
F8 Detail @ Window Jamb
SCALE: 1 1/2" = 1'-0"



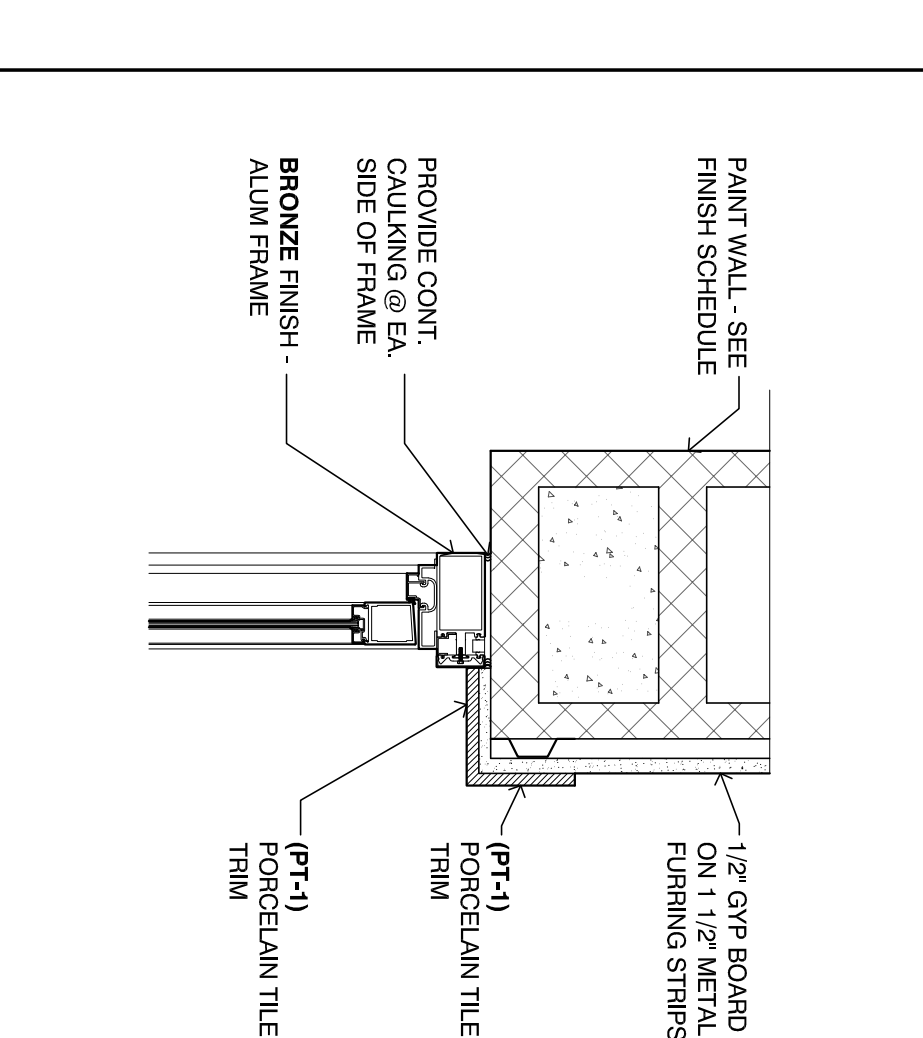
F7 Detail @ Door Jamb
SCALE: 1 1/2" = 1'-0"



F5 Detail @ Window Head
SCALE: 1 1/2" = 1'-0"



F4 Detail @ Door Head
SCALE: 1 1/2" = 1'-0"



F2 Detail @ Door Jamb
SCALE: 1 1/2" = 1'-0"

Head, Sill & Jamb Details

Belle Tire
Northville Twp. MI
Meijer Outlot #54

39931 8 Mile Road
Northville Township, MI 48167

Owner Review: February 12, 2016
Site Plan / Special Land Use: February 26, 2016
Final Site Plan: May 25, 2016
REVISED Final Site Plan: July 22, 2016
BIDDING / PERMIT: February 16, 2017

Sheet Number: **A 602**
15-540

Copyright 2017, Emigh Architects, P.C.