



**COMPASSO REPORT ARCHITECTS**  
A PROFESSIONAL CORPORATION

629 E. Durant Avenue  
Suite 104  
Royal Oak, MI 48067  
248.258.6495 (O)  
248.330.9395 (C)  
compa@compaarchitects.com

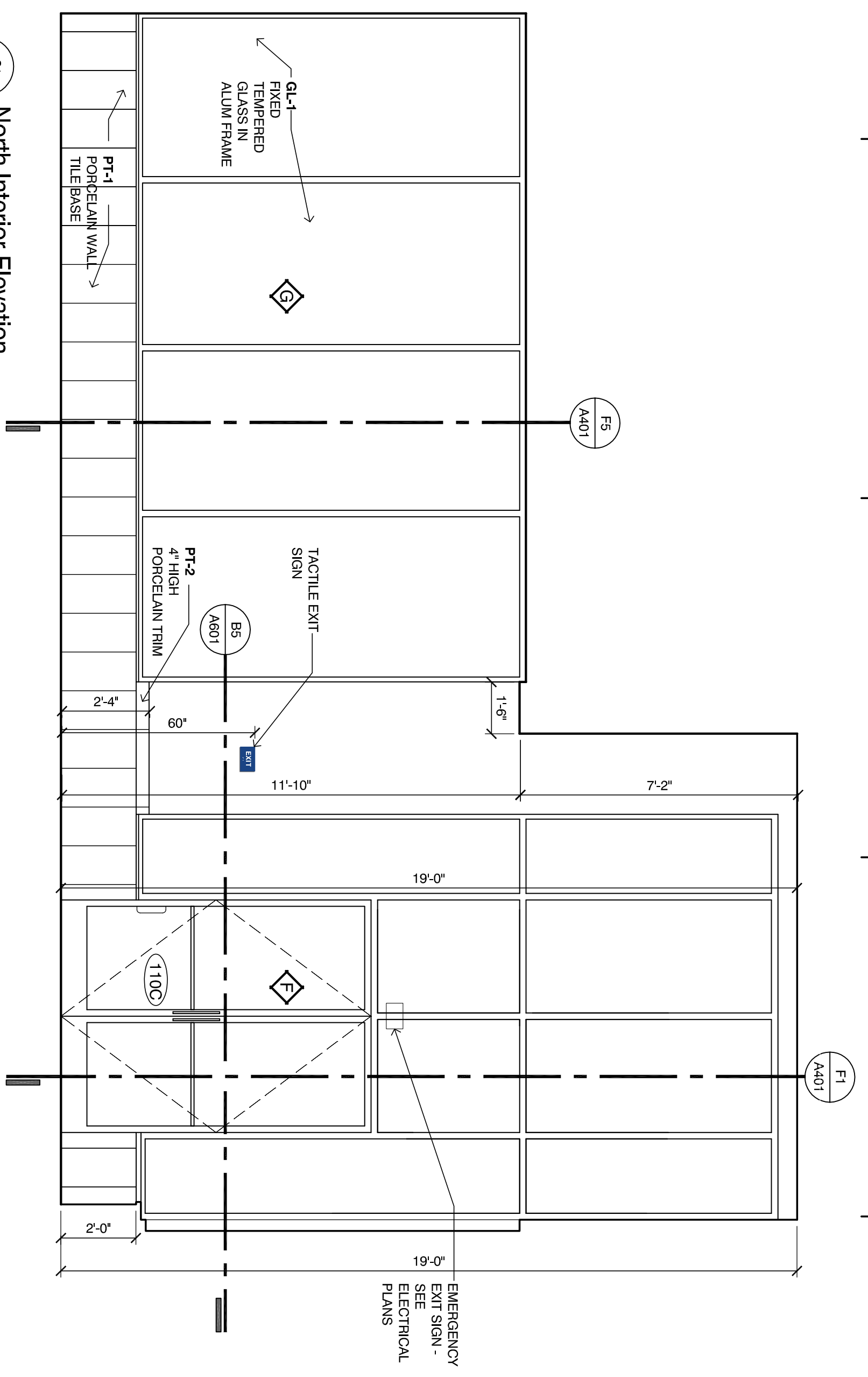
**Belle Tire**  
Northville Twp. MI  
Meijer Outlot #54  
39931 8 Mile Road  
Northville Township, MI 48167

**Interior Details**

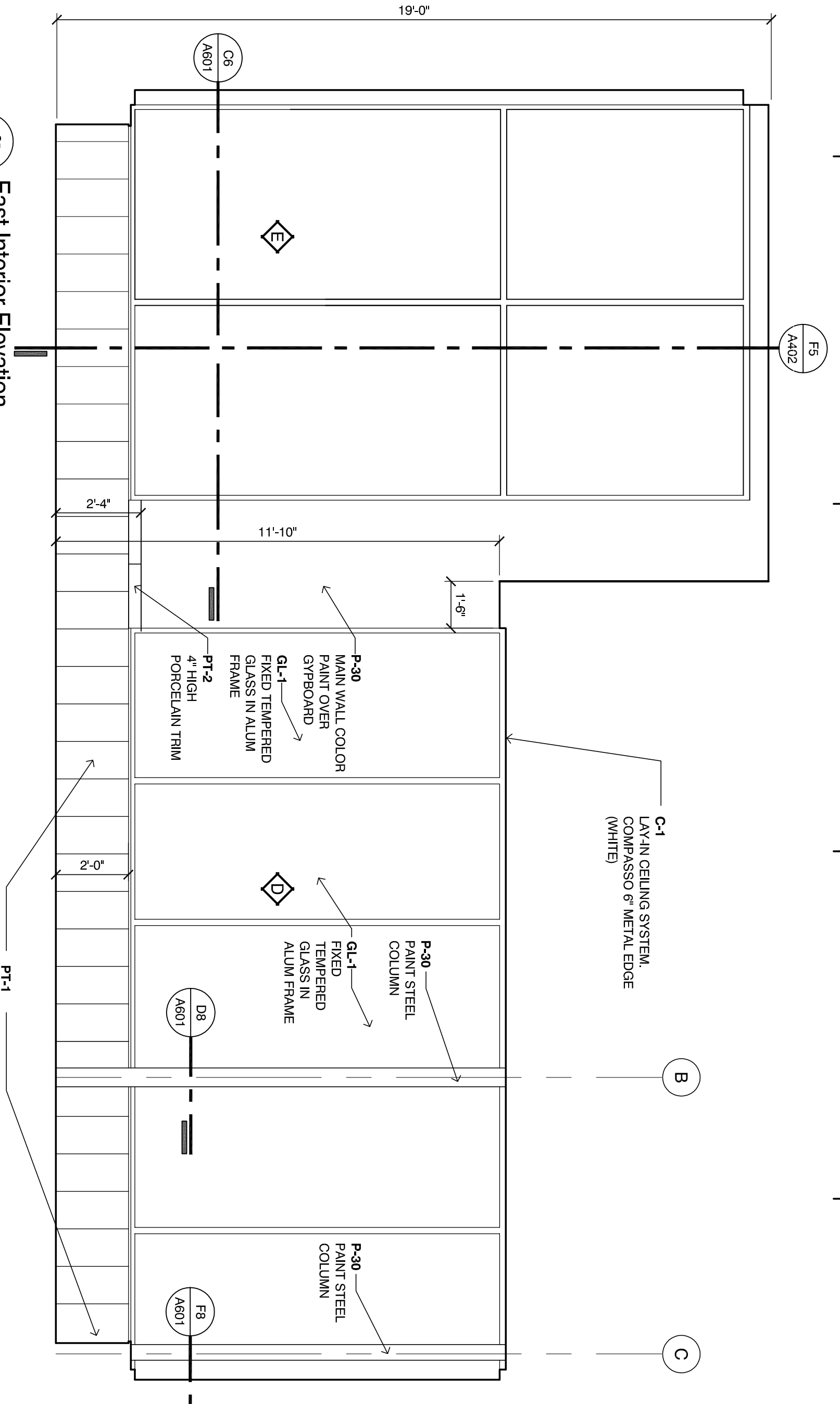
Revised:  
Owner Review: February 12, 2016  
Site Plan / Special Land Use: February 26, 2016  
Final Site Plan: May 25, 2016  
REVISED Final Site Plan: July 22, 2016  
BIDDING / PERMIT: February 16, 2017

15-540

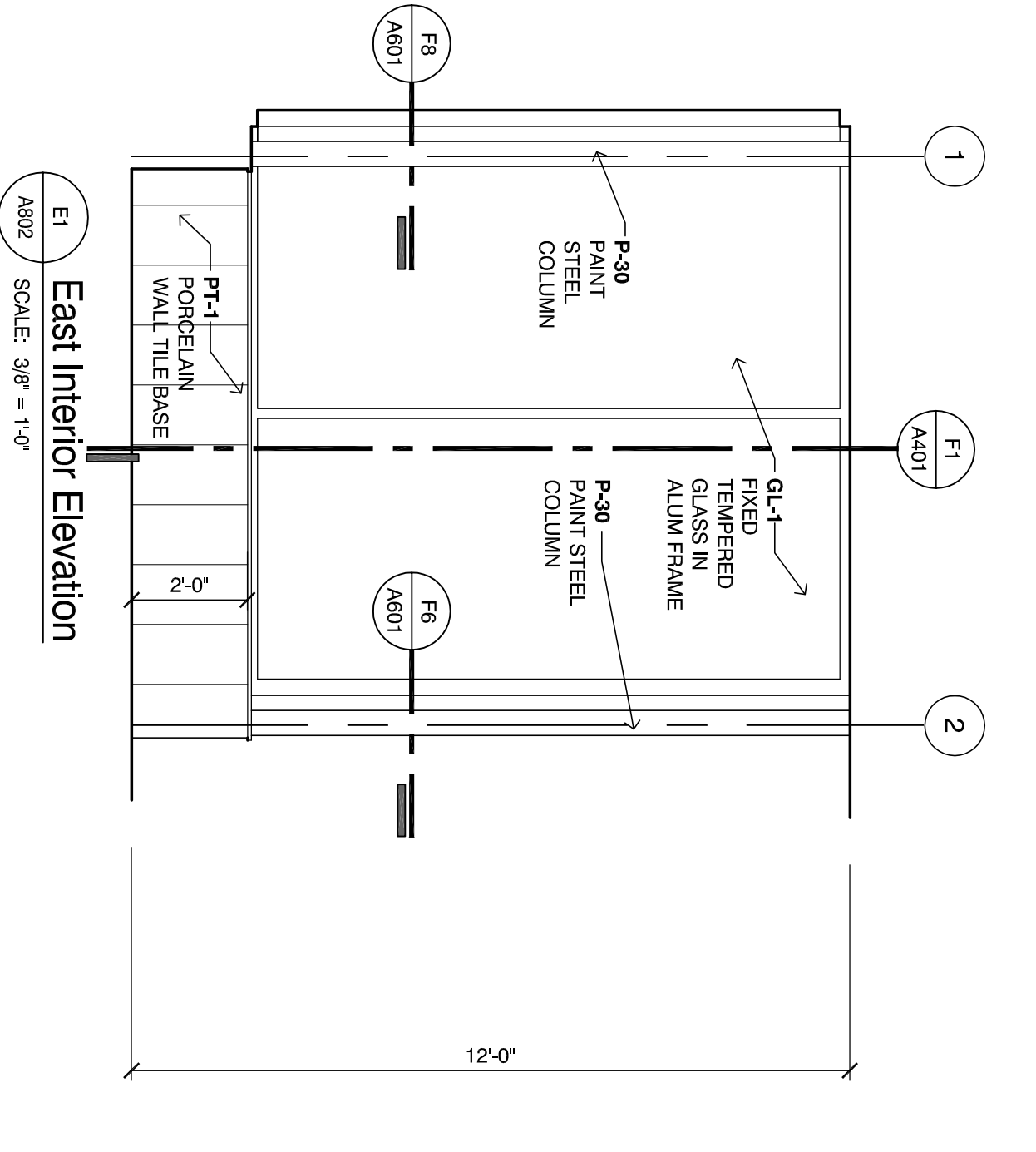
**A802**



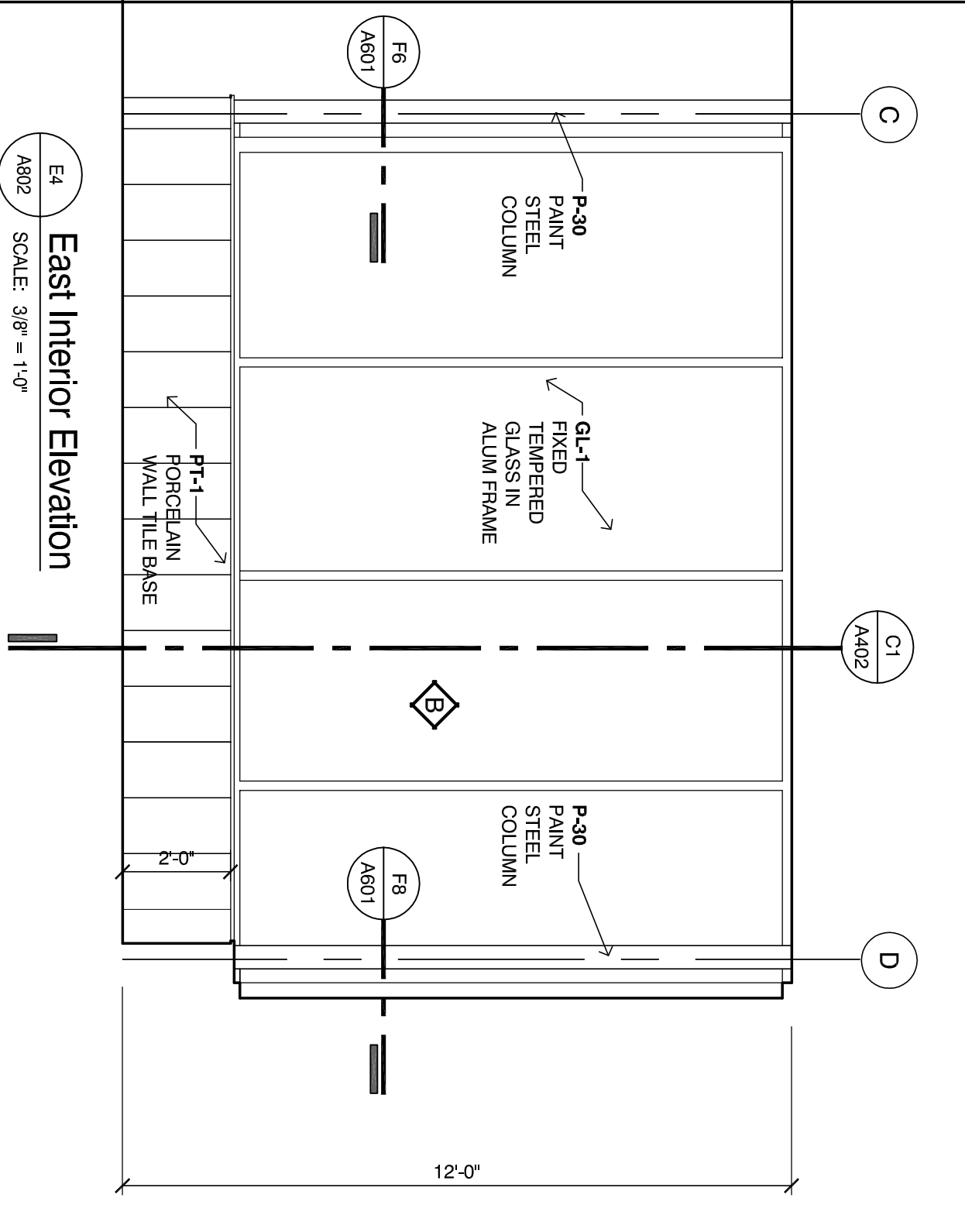
**North Interior Elevation**  
SCALE: 3/8" = 1'-0"



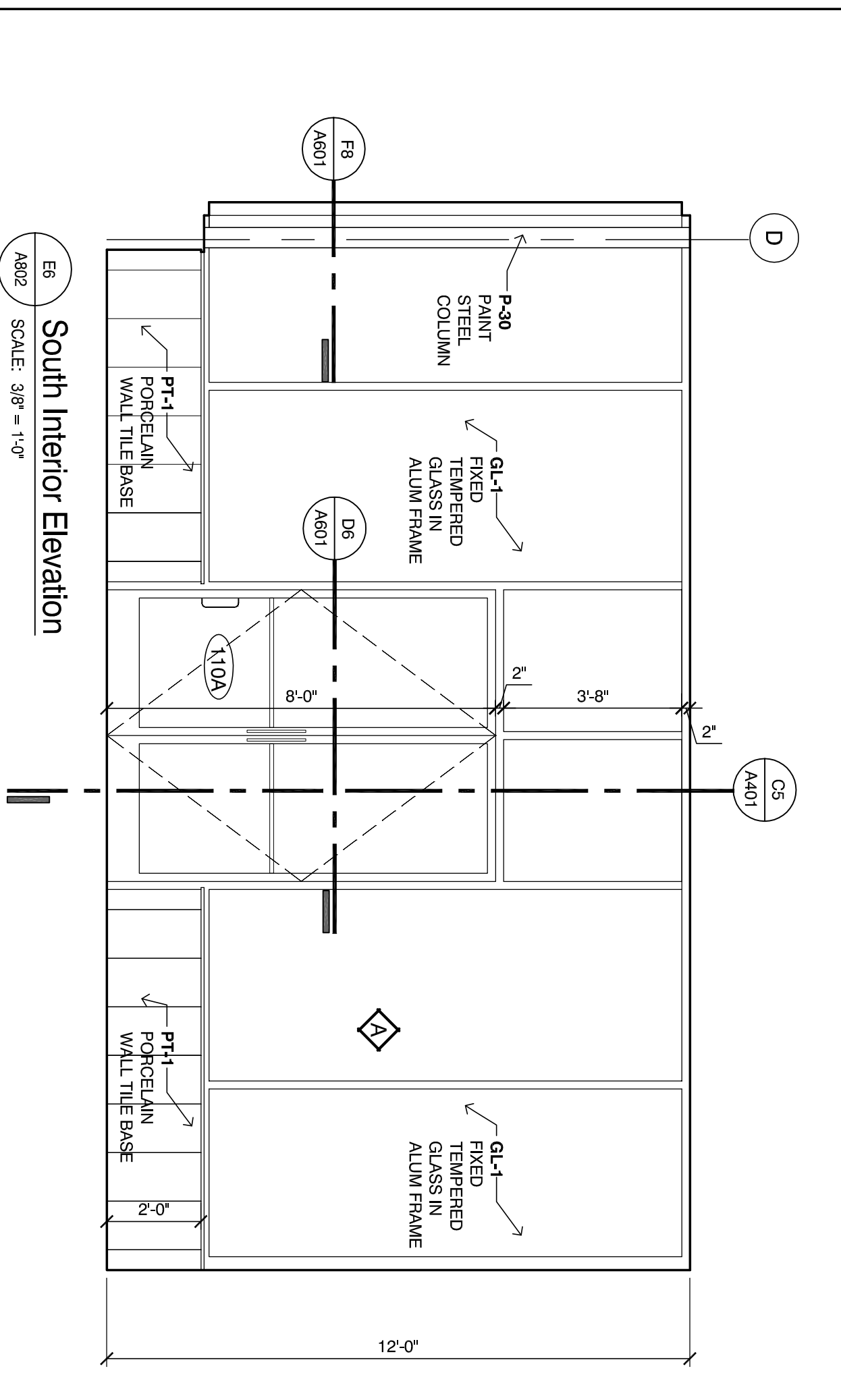
**East Interior Elevation**  
SCALE: 3/8" = 1'-0"



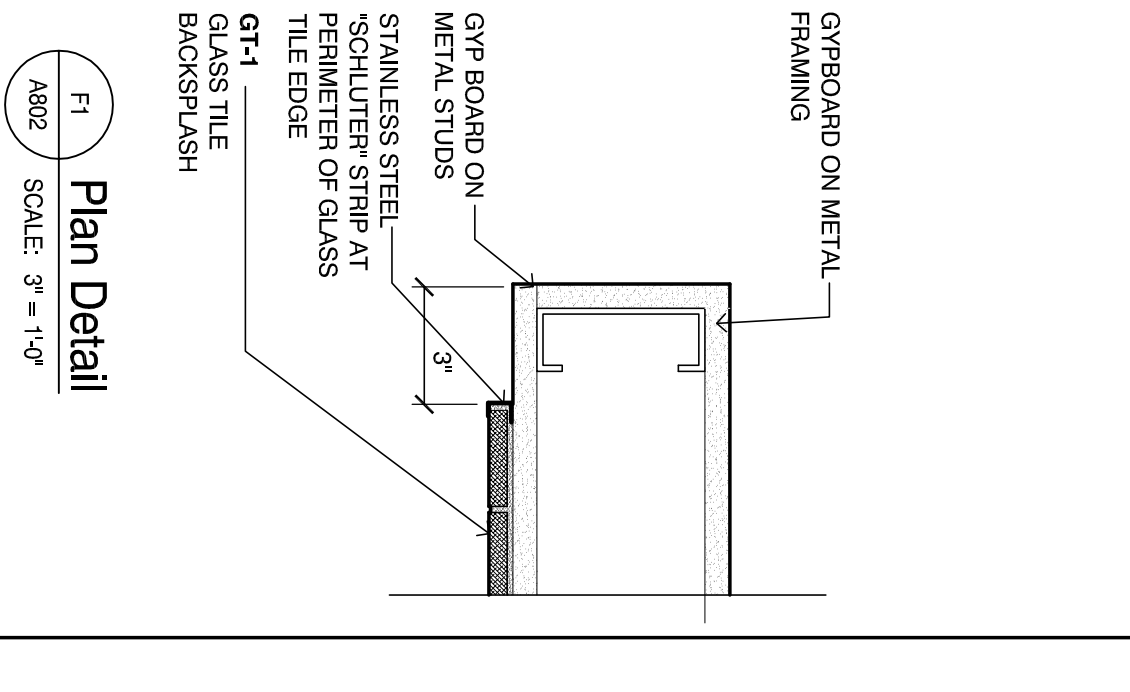
**East Interior Elevation**  
SCALE: 3/8" = 1'-0"



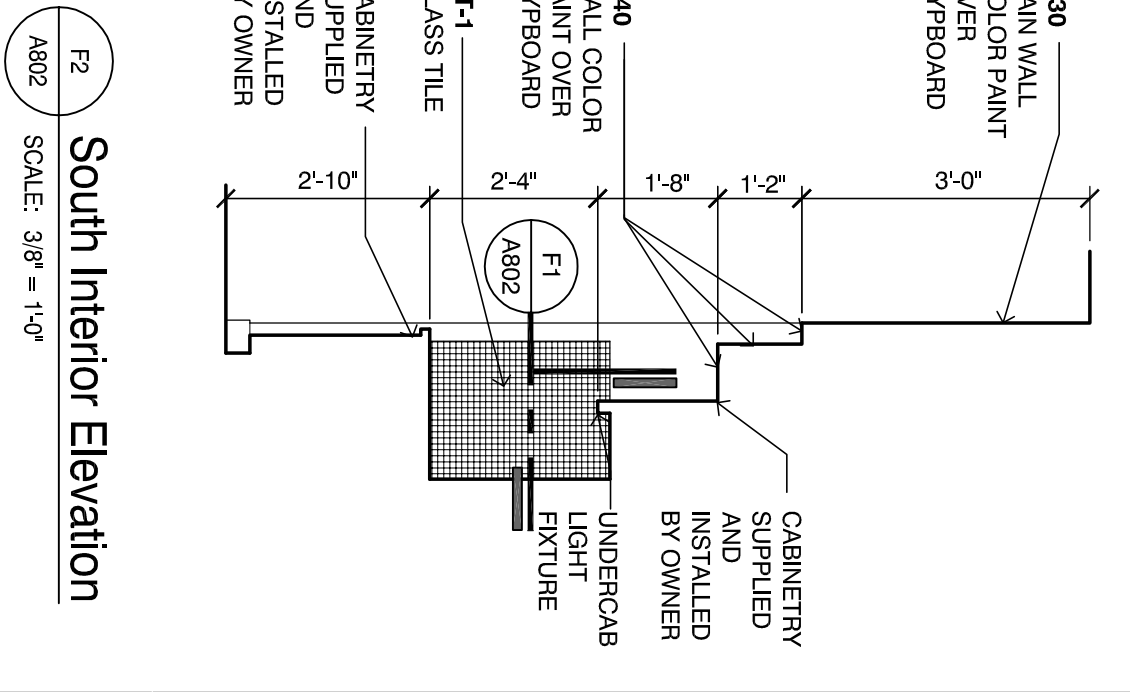
**East Interior Elevation**  
SCALE: 3/8" = 1'-0"



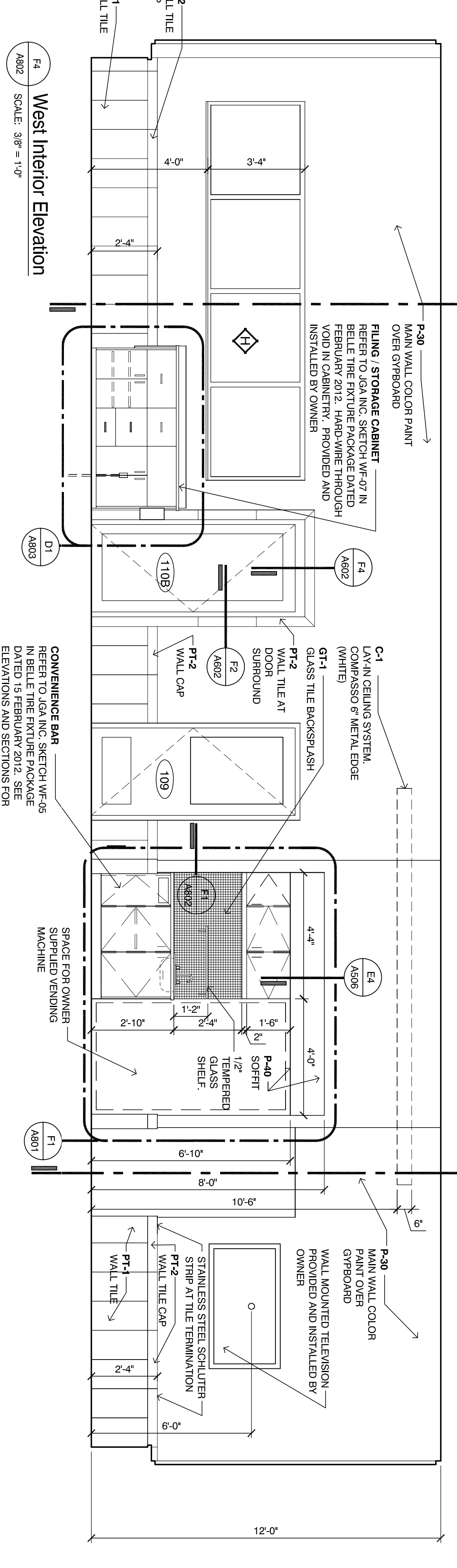
**South Interior Elevation**  
SCALE: 3/8" = 1'-0"



**Plan Detail**  
SCALE: 3" = 1'-0"



**South Interior Elevation**  
SCALE: 3/8" = 1'-0"



**West Interior Elevation**  
SCALE: 3/8" = 1'-0"