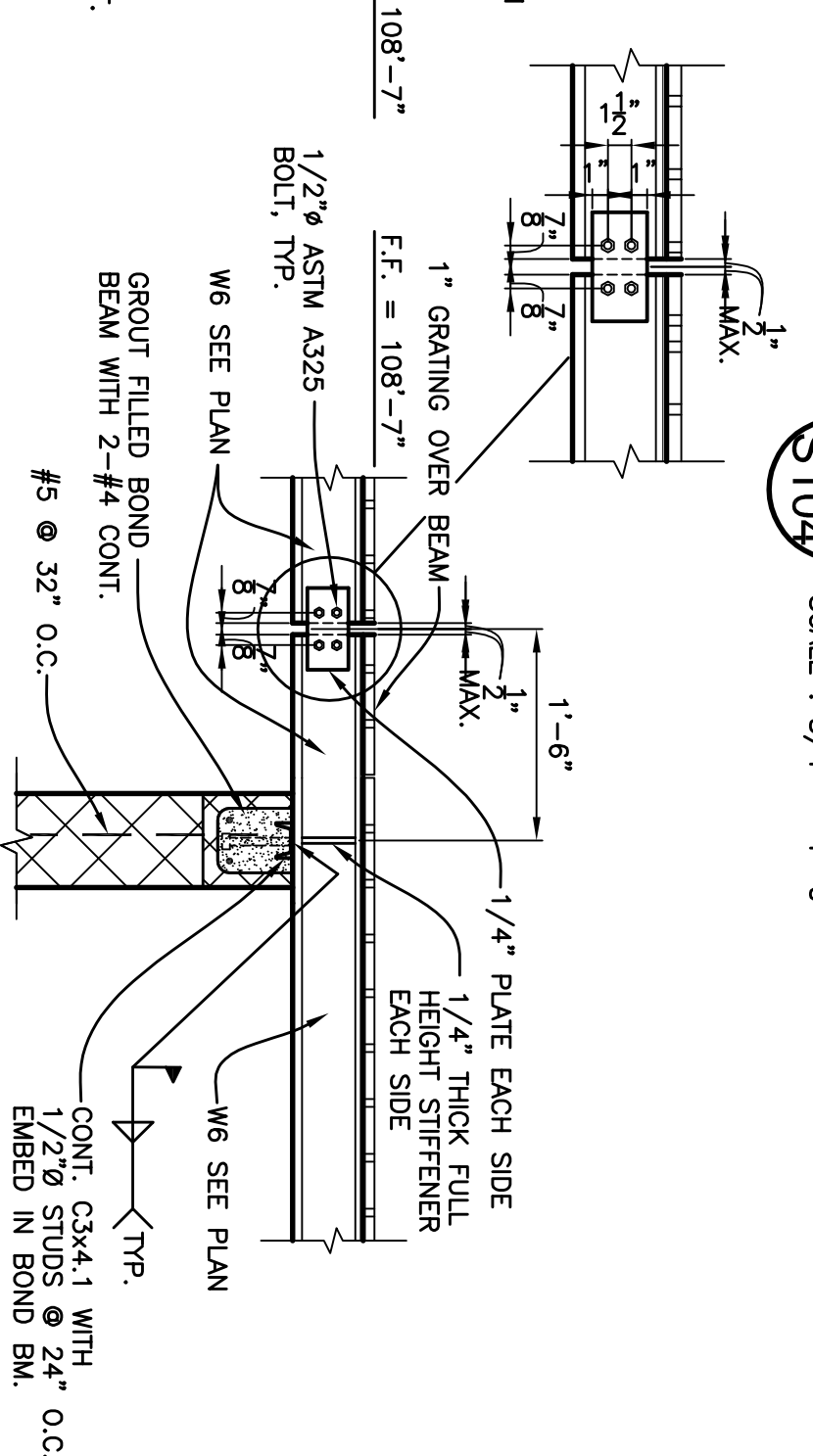
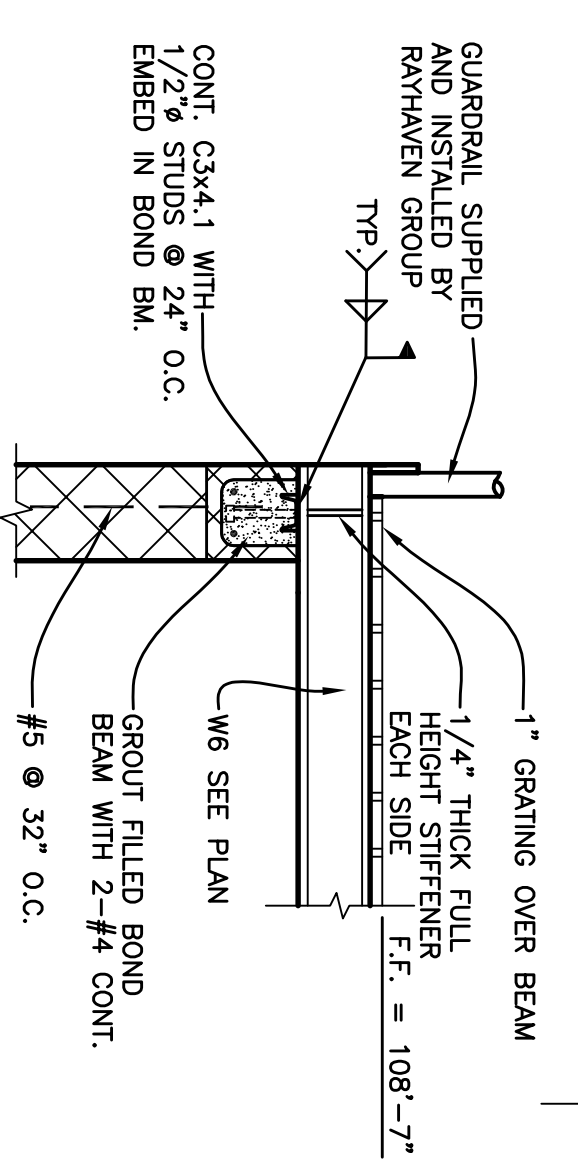
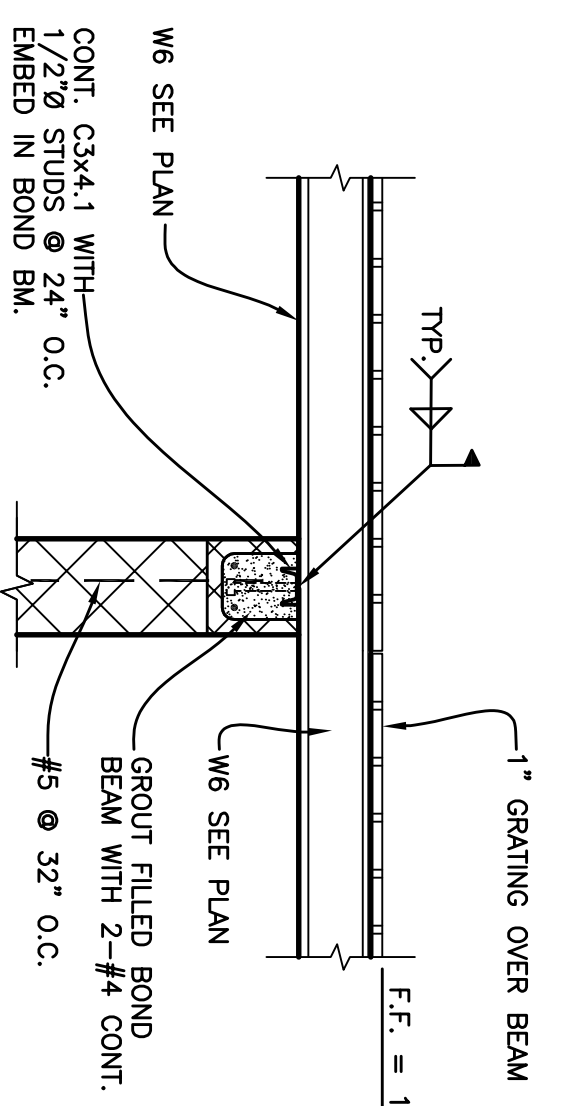
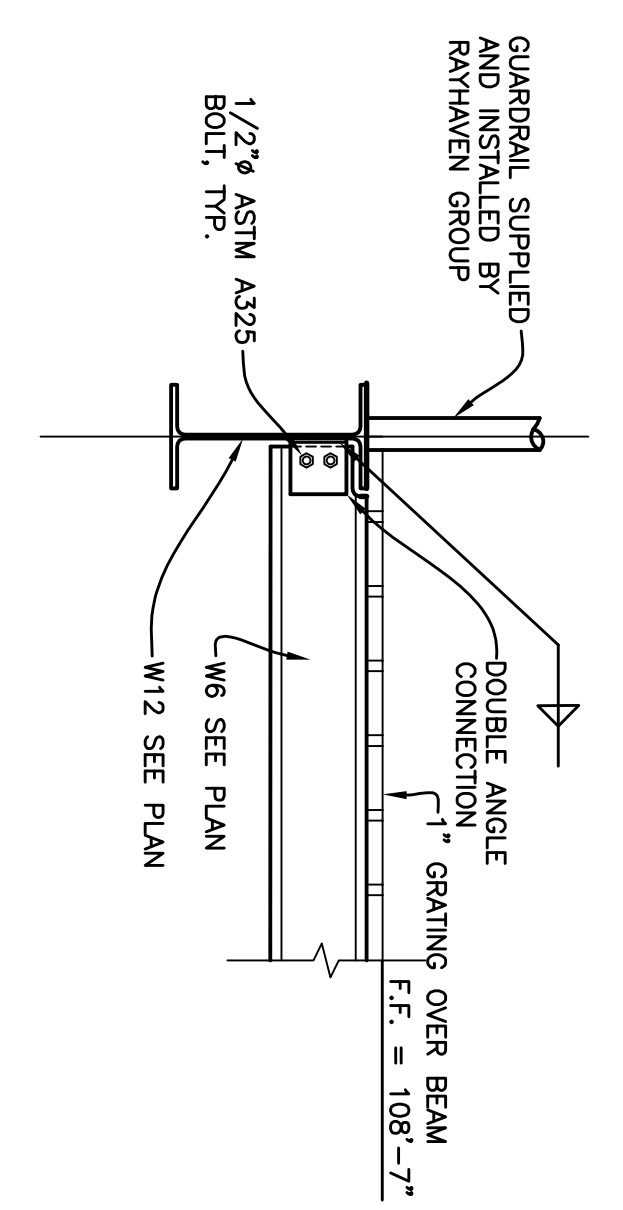


9 SLAB TRANSITION DETAIL
SCALE: 3/4" = 1'-0"

8 SLAB EDGE SUPPORT DETAIL
SCALE: 3/4" = 1'-0"

7 SLAB TRANSITION DETAIL
SCALE: 3/4" = 1'-0"

6 MEZZANINE BEAM BEARING
SCALE: 3/4" = 1'-0"

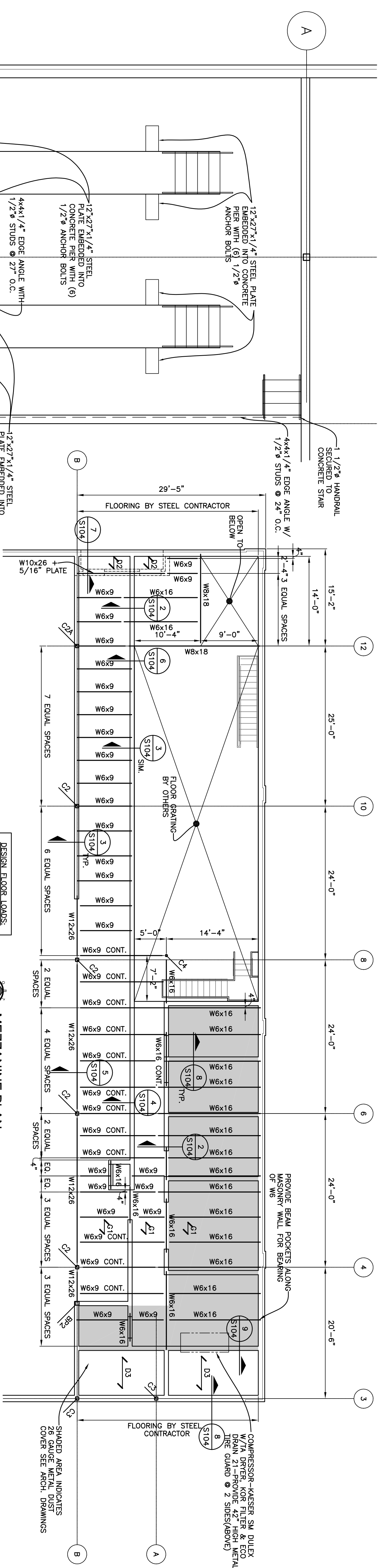


5 MEZZANINE EDGE BEAM BEARING
SCALE: 1" = 1'-0"

4 MEZZANINE BEAM BEARING
SCALE: 3/4" = 1'-0"

3 MEZZANINE EDGE BEAM BEARING
SCALE: 3/4" = 1'-0"

2 MEZZANINE BEAM BEARING
SCALE: 3/4" = 1'-0"



MEZZANINE PLAN
SCALE: 1/8" = 1'-0"

GUARDRAILS (HANDRAILS) ON MEZZANINE SUPPLIED AND INSTALLED BY RAHWAYEN GROUP
SEE SHEET S202 FOR COLUMN SCHEDULE

1 EMBED PLAN AT ALIGNMENT PIT
SCALE: 1/4" = 1'-0"

Belle Tire
Northville Twp., MI
Meijer Outlot #54
39931 8 Mile Road
Northville Township, MI 48167

Mezzanine And
Embedment Plan

Owner Review: February 12, 2016
Site Plan / Special Land Use: February 28, 2016
Final Site Plan: May 25, 2016
Revised Final Site Plan: July 22, 2016
BIDDING / PERMIT: February 16, 2017

Shymanski &
Associates, L.L.C.
STRUCTURAL ENGINEERS
31300 Freeland Rd., E. ENGINEERS
Livonia, Michigan 48154
ph: 734.855.4810 fx: 734.855.4809
email: shymanski@shymanskiassociates.com

628 E. Parent Avenue
Suite 106
Royal Oak, MI 48067
248.330.2895 (O)
central@emgintarchitects.com

CONCRETE
EMGINT ARCHITECTS
A PART OF THE EMGINT CORPORATION