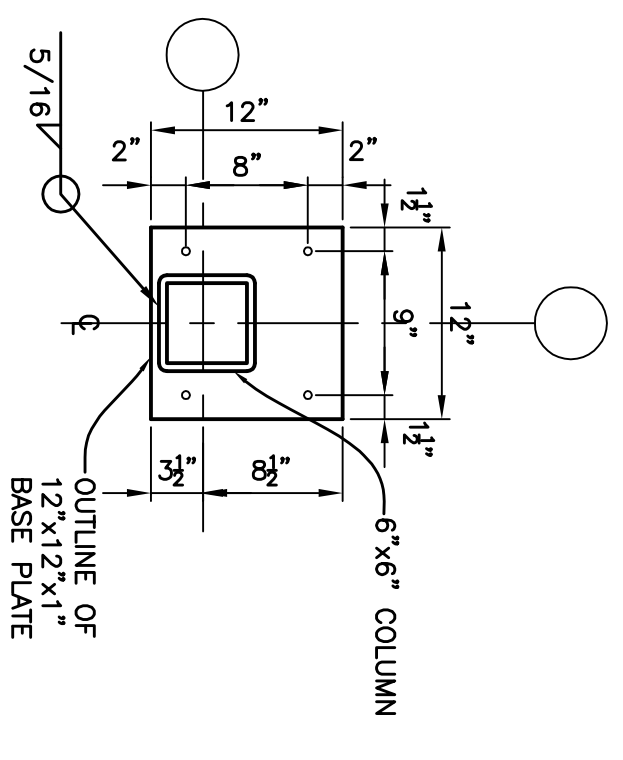


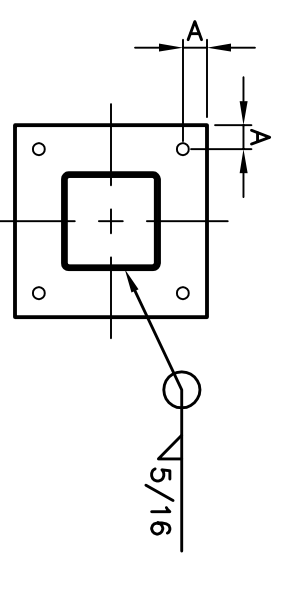
PIER SCHEDULE	
MARK	REINFORCEMENT
SIZE	TIES
P1	NOT USED
P2	1'-10"x1'-10"
P3	1'-6"x1'-6"
	8-#7
	PER DETAIL 4/S202
	4-#7
	PER DETAIL 4/S202

COLUMN SCHEDULE				
C4	C3,C3A	C2	C1	MARK
3" STD PIPE	HSS6x6x5/16	HSS6x6x3/8	HSS12x6x1/4	SIZE
9"9"x3/4"	12"x12"x1"	12"x12"x1"	18"x10"x3/4"	BASE PLATE
(4)3/4"x1'-4"	(4)3/4"x1'-4"	(4)3/4"x1'-4"	(4)3/4"x1'-4"	ANCHOR RODS
SEE DETAIL FOR BASE PLATE FOR COLUMN C3A	SEE DETAIL FOR BASE PLATE FOR COLUMN C3A	PROVIDE 1/2" CAP BOLT CONNECTION AT TOP OF COLUMN UNLESS OTHERWISE NOTED	PROVIDE 1/2" CAP BOLT CONNECTION AT TOP OF COLUMN UNLESS OTHERWISE NOTED	REMARKS

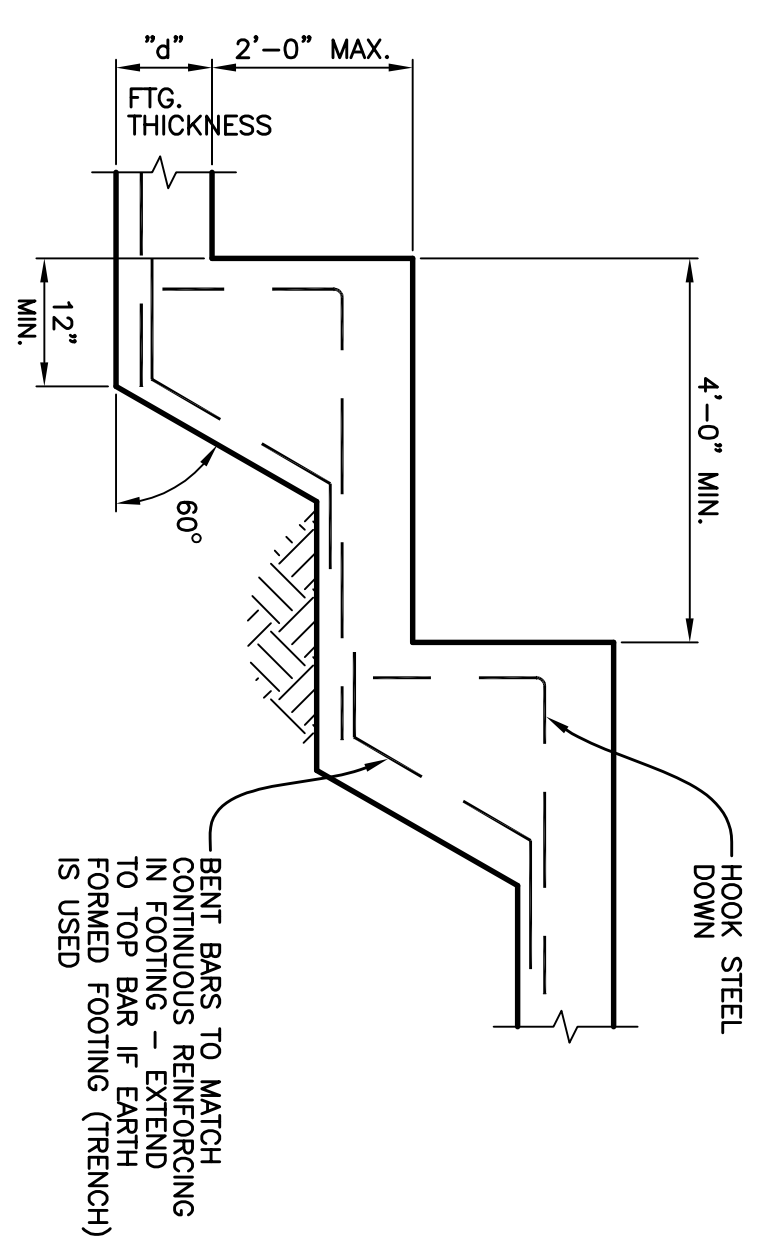
FOUNDATION SCHEDULE					
F5	F4	F3	F2	F1	MARK
3'-0"x3'-0"	5'-6"x5'-6"	4'-4"x4'-4"	10'-6"x10'-6"	2'-6"x2'-6"	SIZE
12"	18"	12"	40"	12"	THICKNESS
3-#5	7-#5	4-#5	12-#8	4-#4	REINFORCING UNLESS OTHERWISE NOTED
					REMARKS



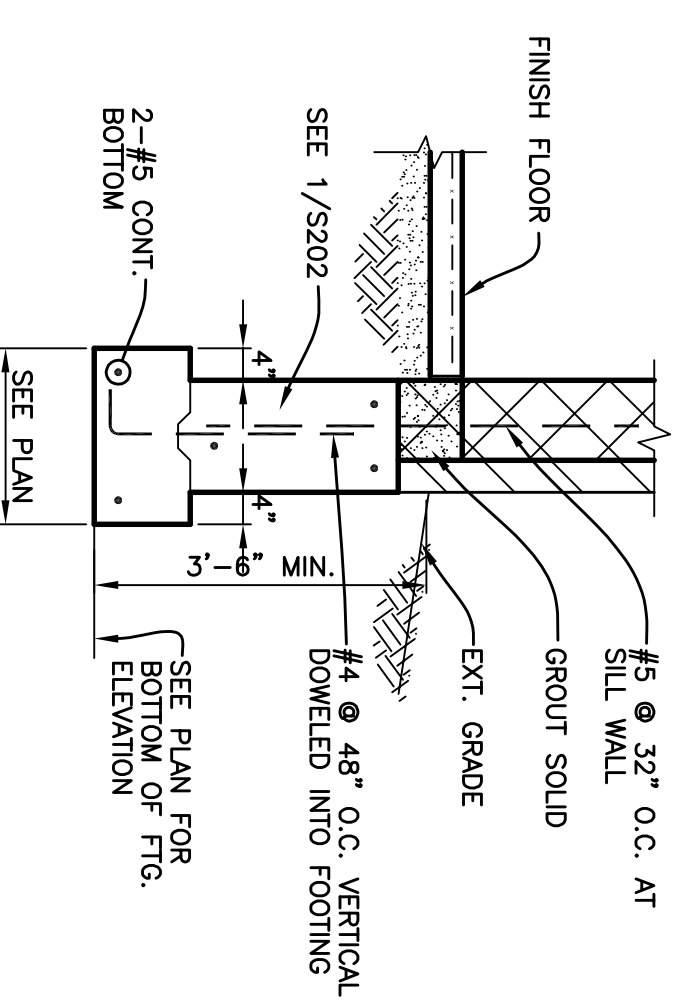
8B BASE PLATE
SCALE : NONE



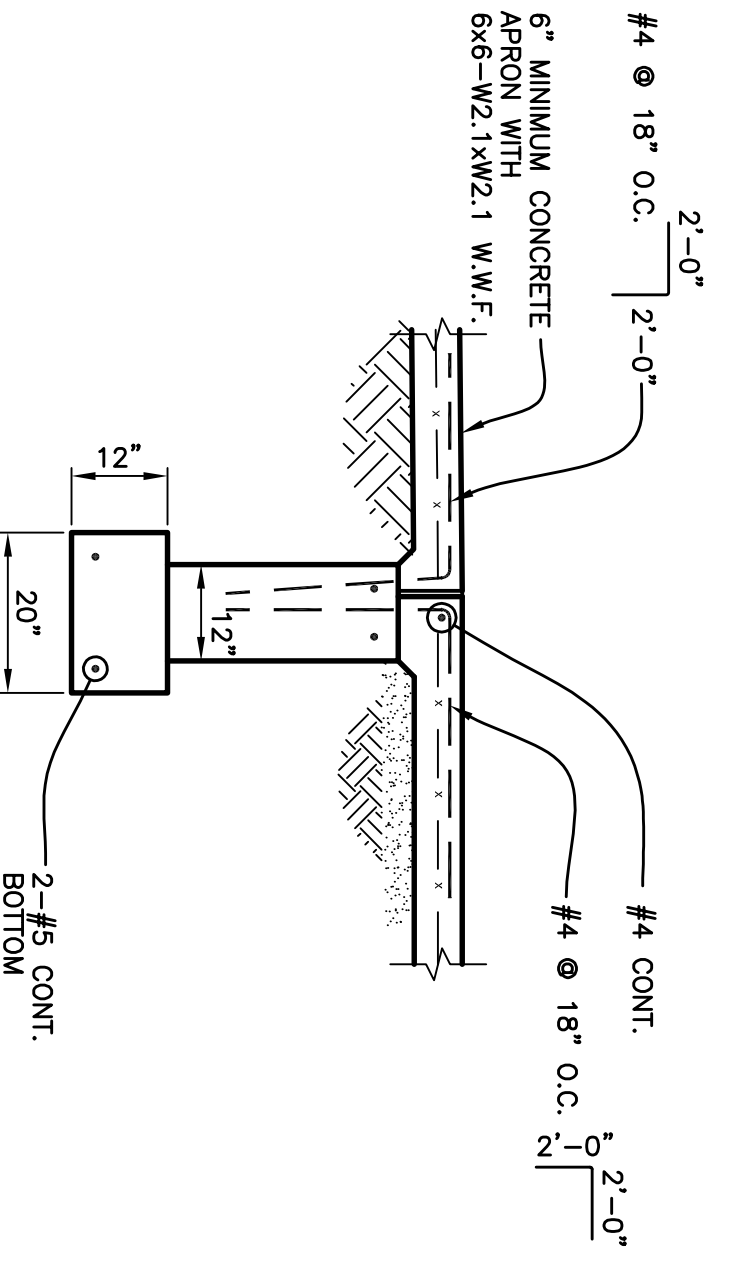
8A TYPICAL BASE PLATE
SCALE : NONE



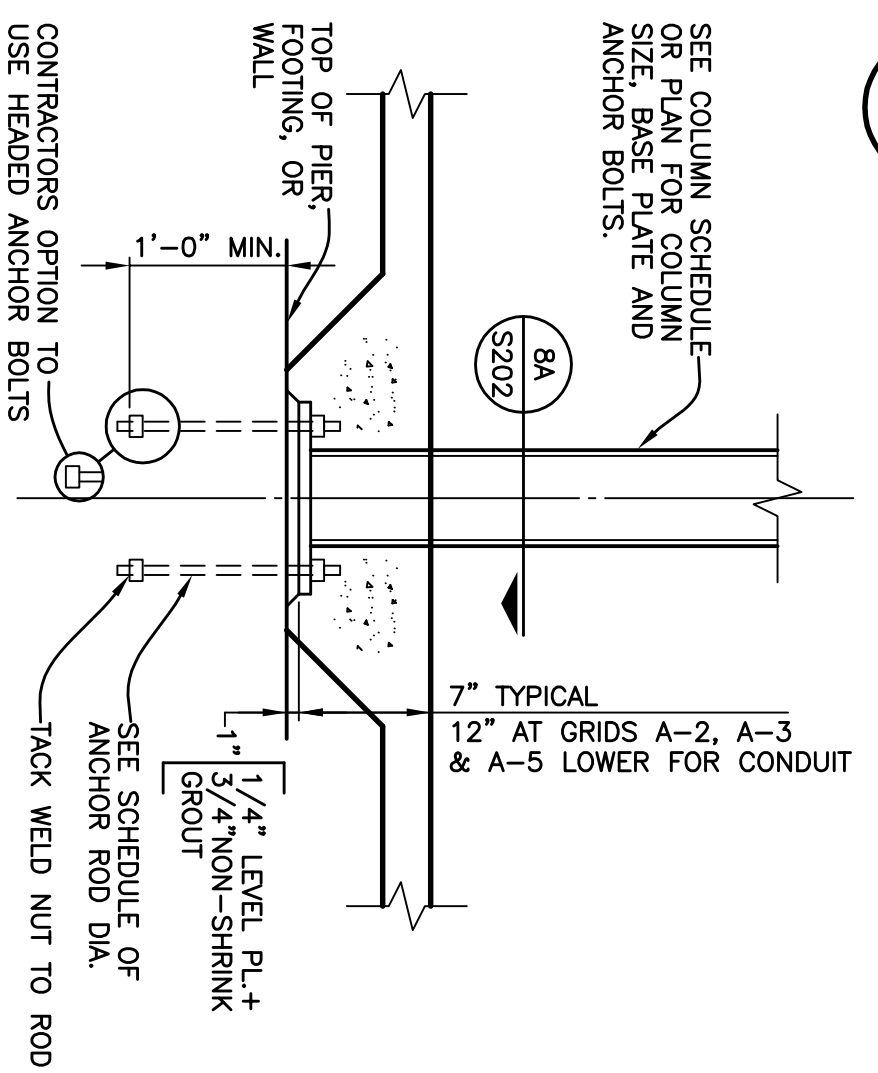
11 TYPICAL STEP FOOTING DETAIL
SCALE : NONE



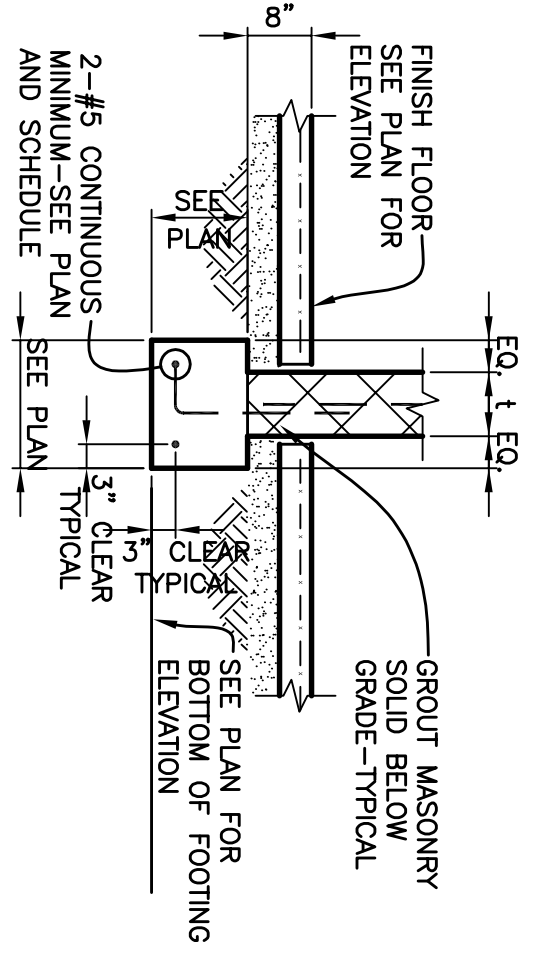
10 EXTERIOR WALL FOOTING AT SILL WALL
SCALE : 1/2\"/>



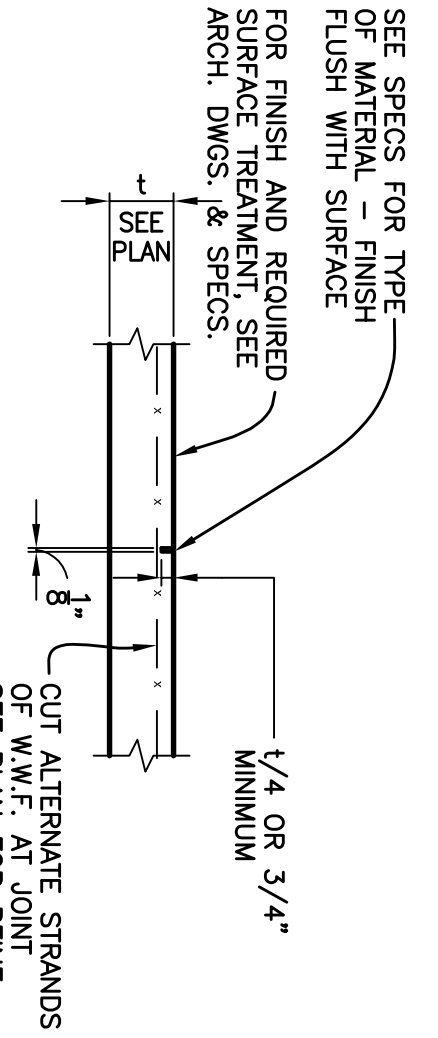
9 TYPICAL FOUNDATION DETAIL AT OVERHEAD DOORS
SCALE : 1/2\"/>



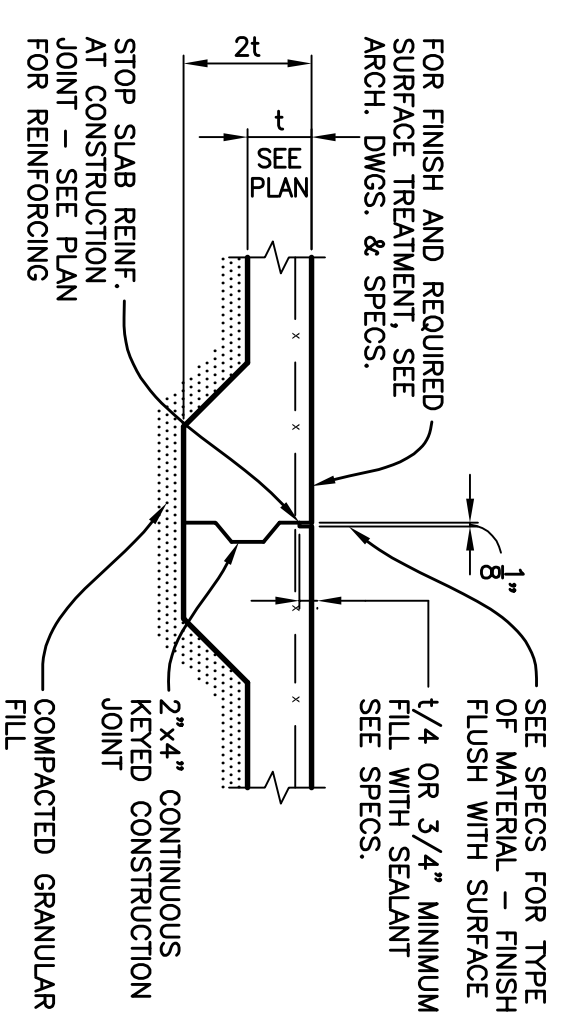
8 TYPICAL COLUMN BASE DETAIL
SCALE : 3/4\"/>



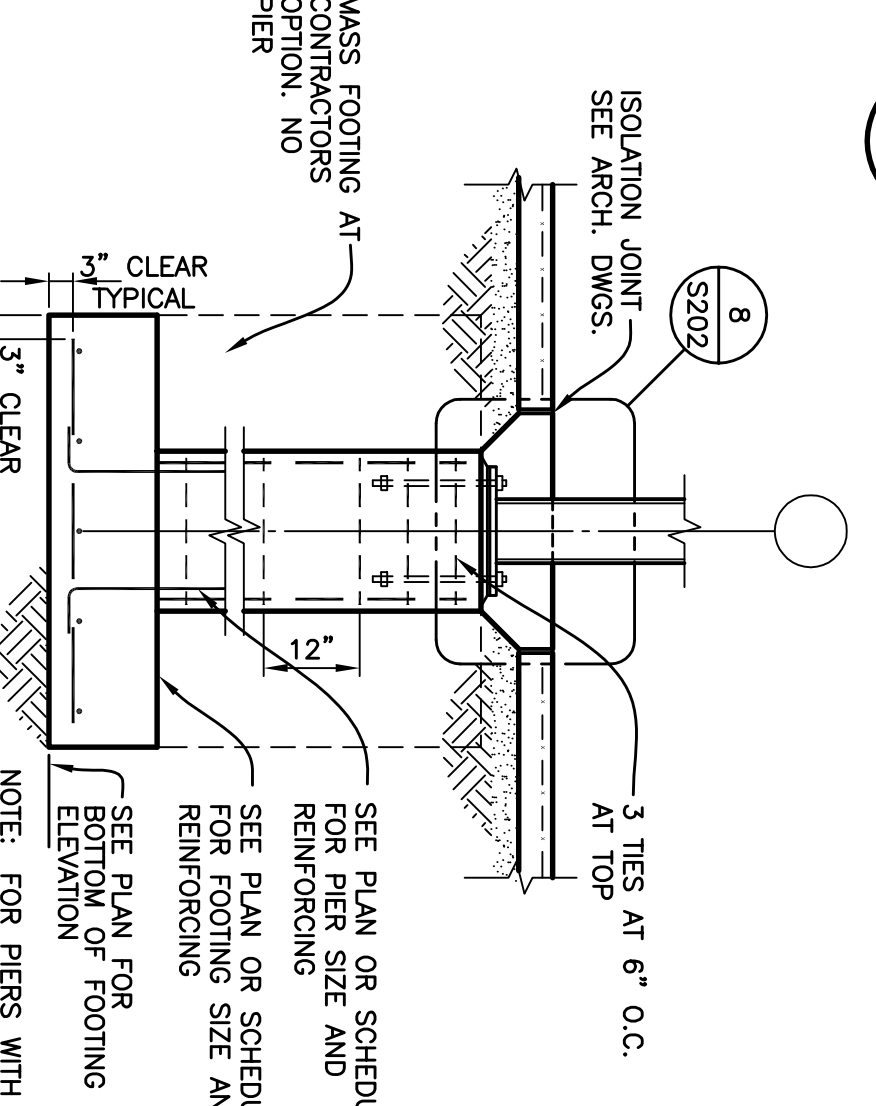
7 TYPICAL INTERIOR WALL FOOTING
SCALE : 1/2\"/>



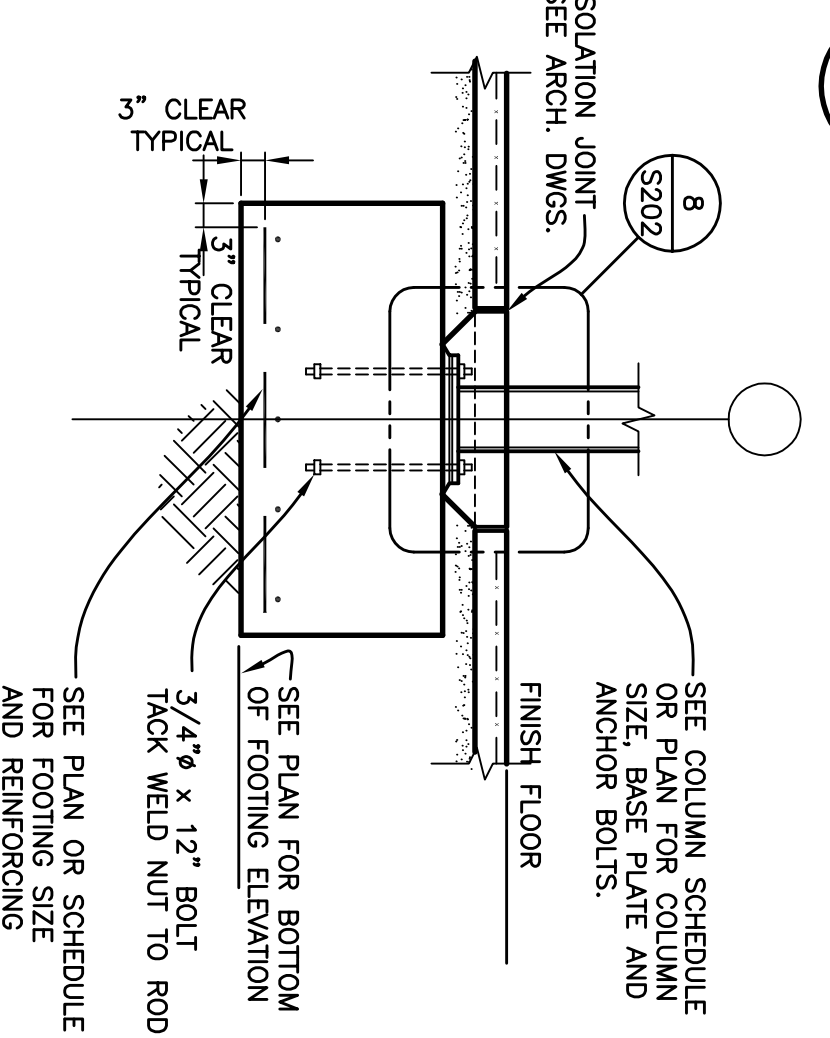
6 TYPICAL FLOOR CONTROL JOINT
SCALE : 1\"/>



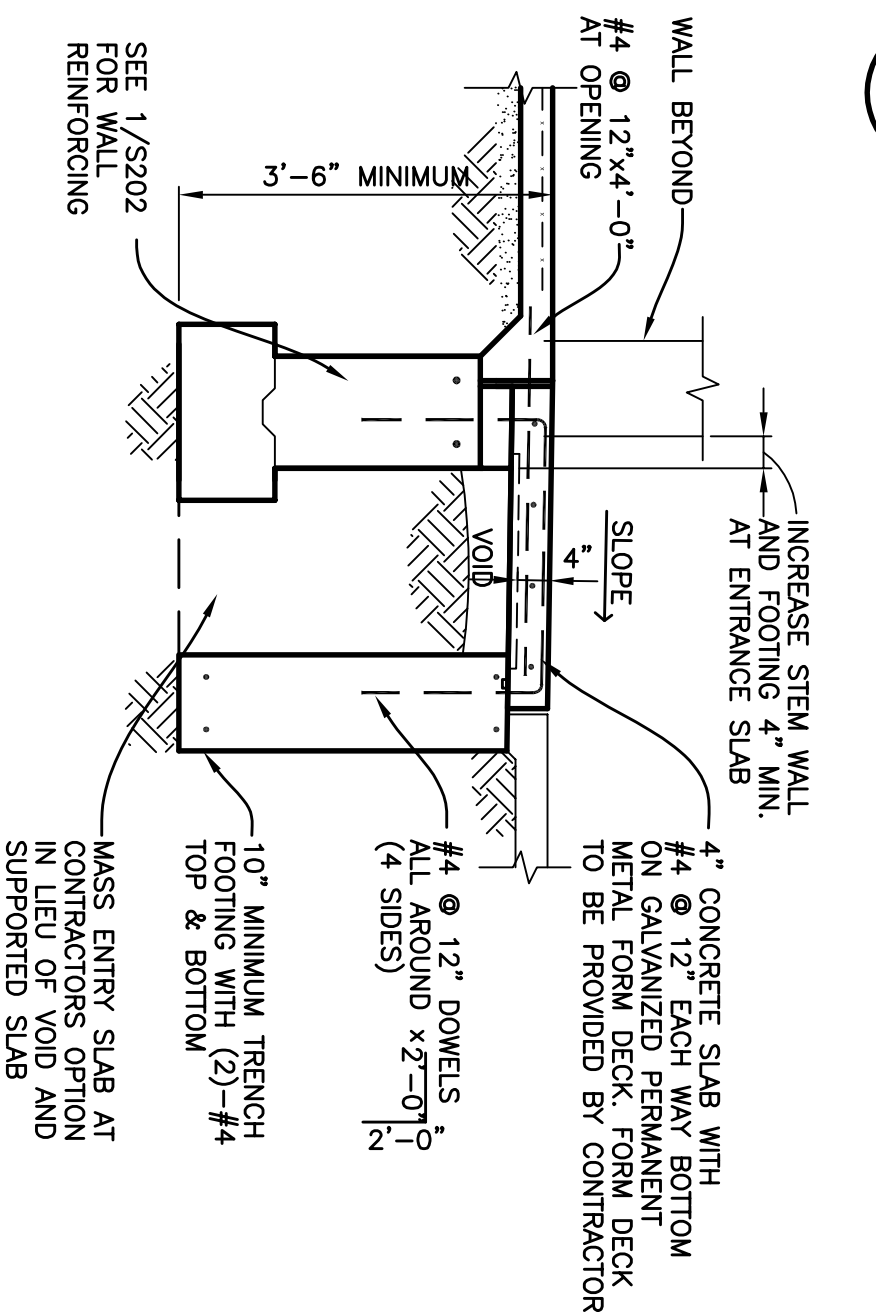
5 TYPICAL FLOOR CONSTRUCTION JOINT
SCALE : 1\"/>



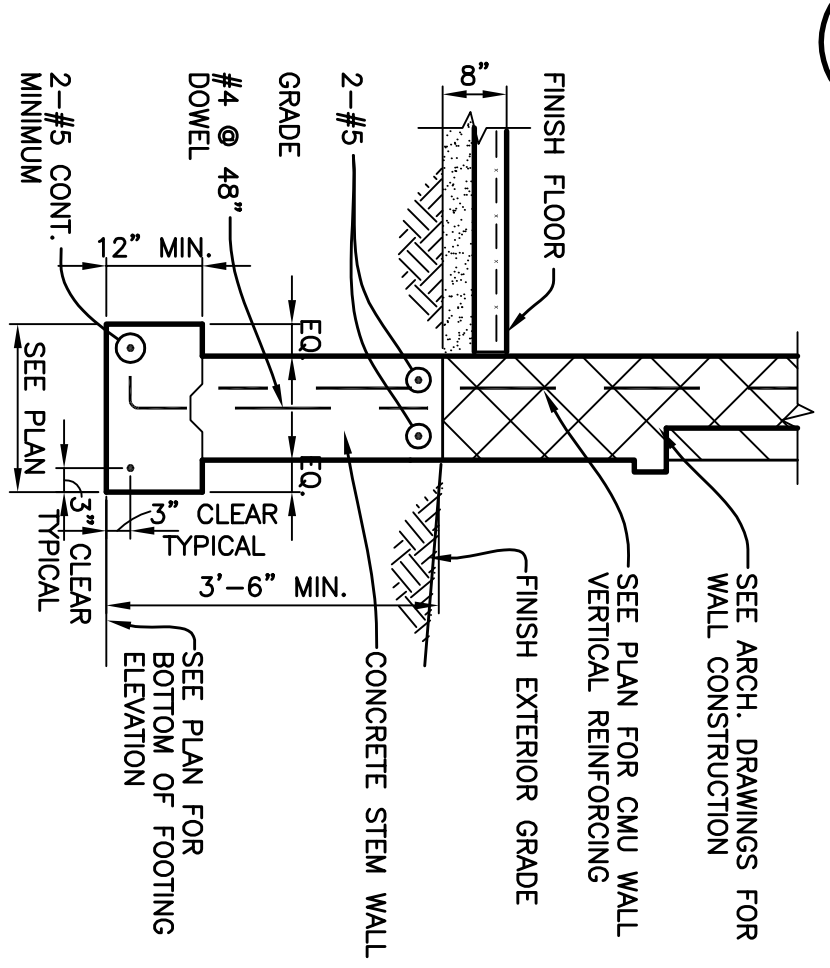
4 TYPICAL COLUMN PIER AND FOOTING
SCALE : 1/2\"/>



3 TYPICAL INTERIOR COLUMN FOOTING
SCALE : 1/2\"/>



2 TYPICAL ENTRANCE SLAB
SCALE : 1/2\"/>



1 TYPICAL EXTERIOR WALL FOOTING
SCALE : 1/2\"/>

CONSPICUOUS EMBROID APPLICATORS
FLOOR & WALL COORDINATION

628 E. Parent Avenue
Suite 106
Royal Oak, MI 48067
Tel: 248.330.2395
248.330.2395 (C)
cmnqh@engrarchitects.com

Shymanski & Associates, L.L.C.
STRUCTURAL ENGINEERS
37500 Ford Ave., L. ENGINEERS
Livonia, Michigan 48154
ph: 734.855.4810 fx: 734.855.4809
cmnqh@shymanskiengineers.com

Belle Tire Northville Twp., MI
Meijer Outlot #54
39931 8 Mile Road
Northville Township, MI 48167

Details

Owner: Rediker, February 12, 2016
Site Plan: Special Land Use, February 28, 2016
Final Site Plan: May 25, 2016
REVISED Final Site Plan: July 22, 2016
BIDDING / PERMIT: February 18, 2017

15-540

S202