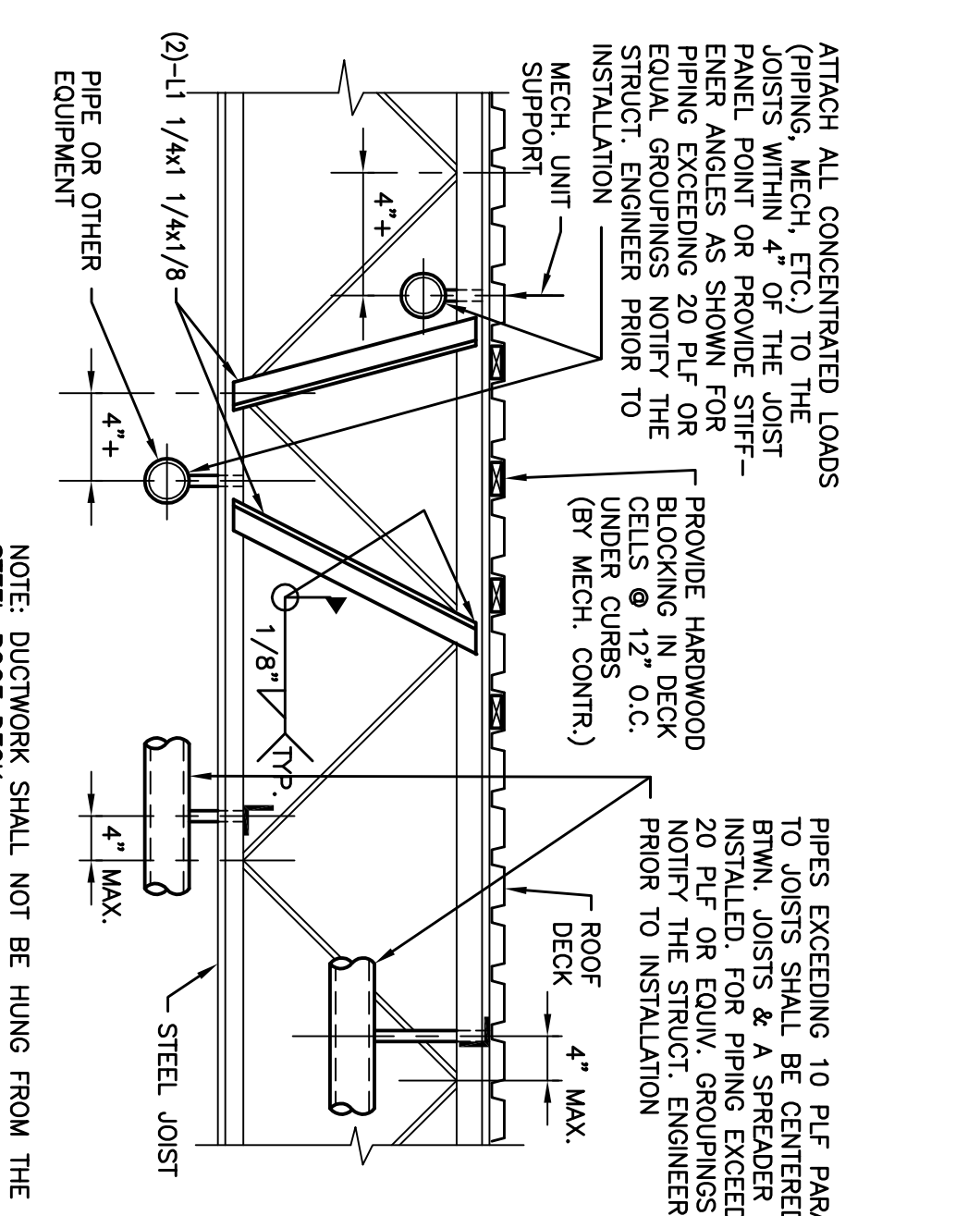
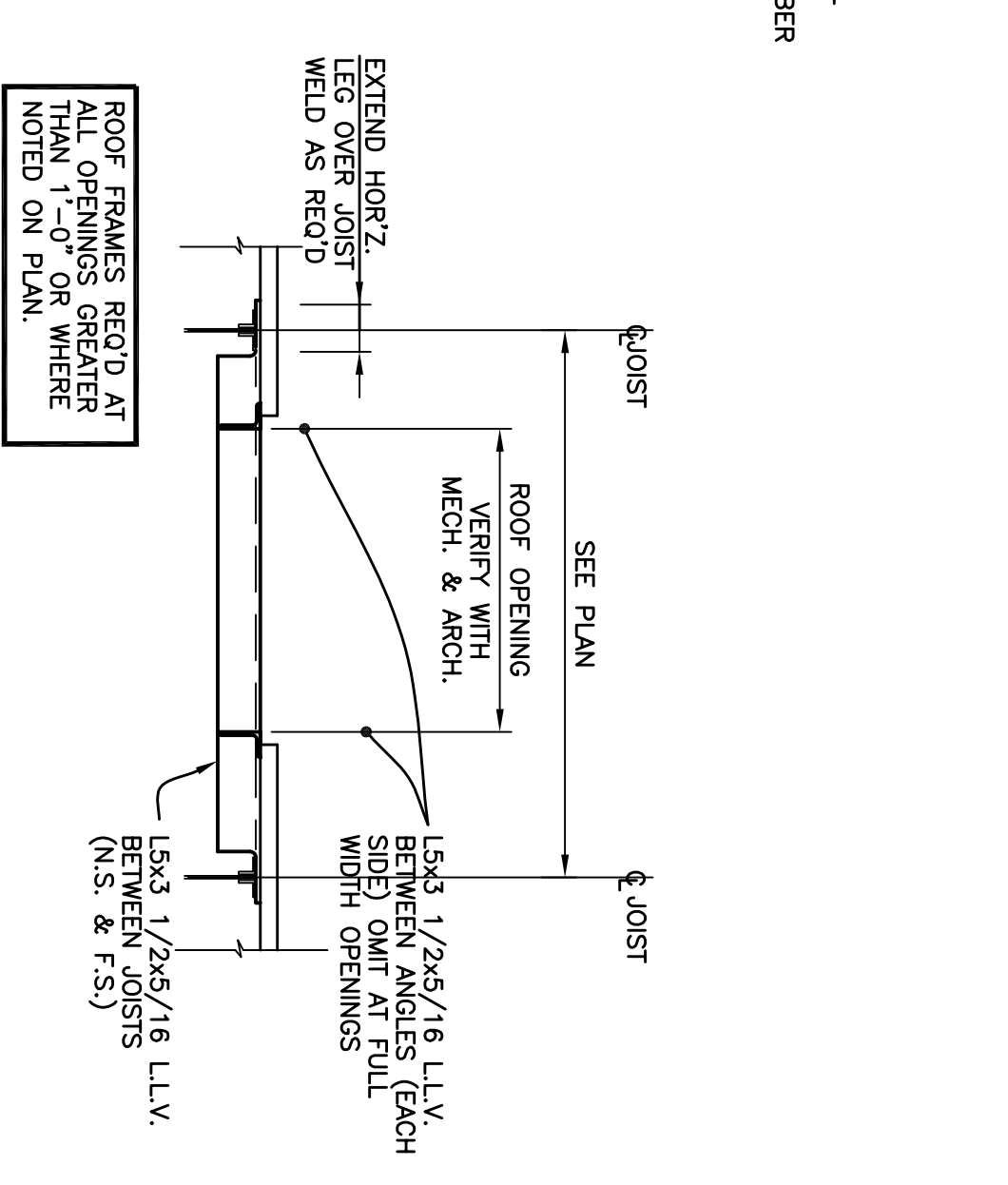


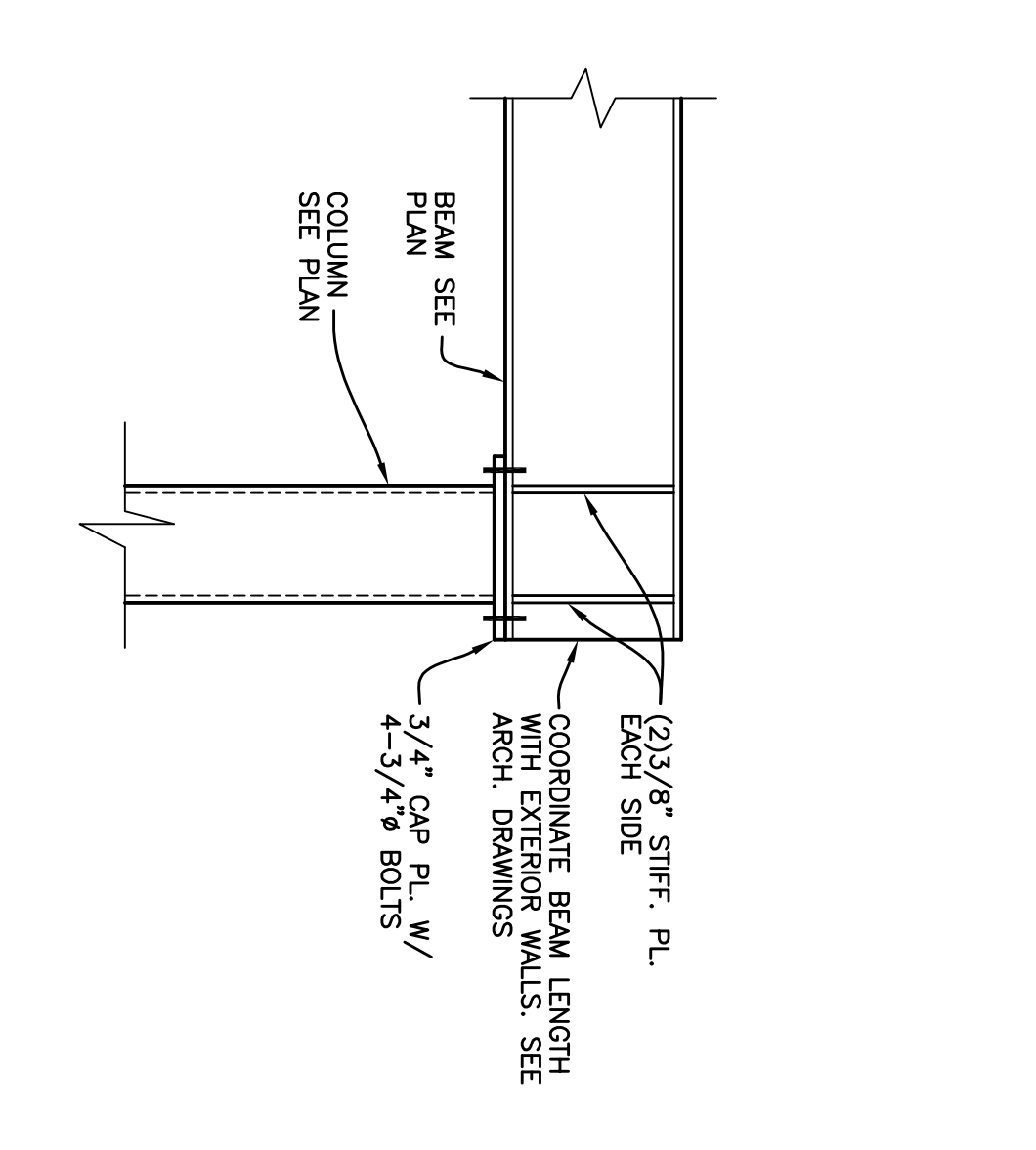
9 TYPICAL ROOF DECK WELDING PATTERN
SCALE : NONE



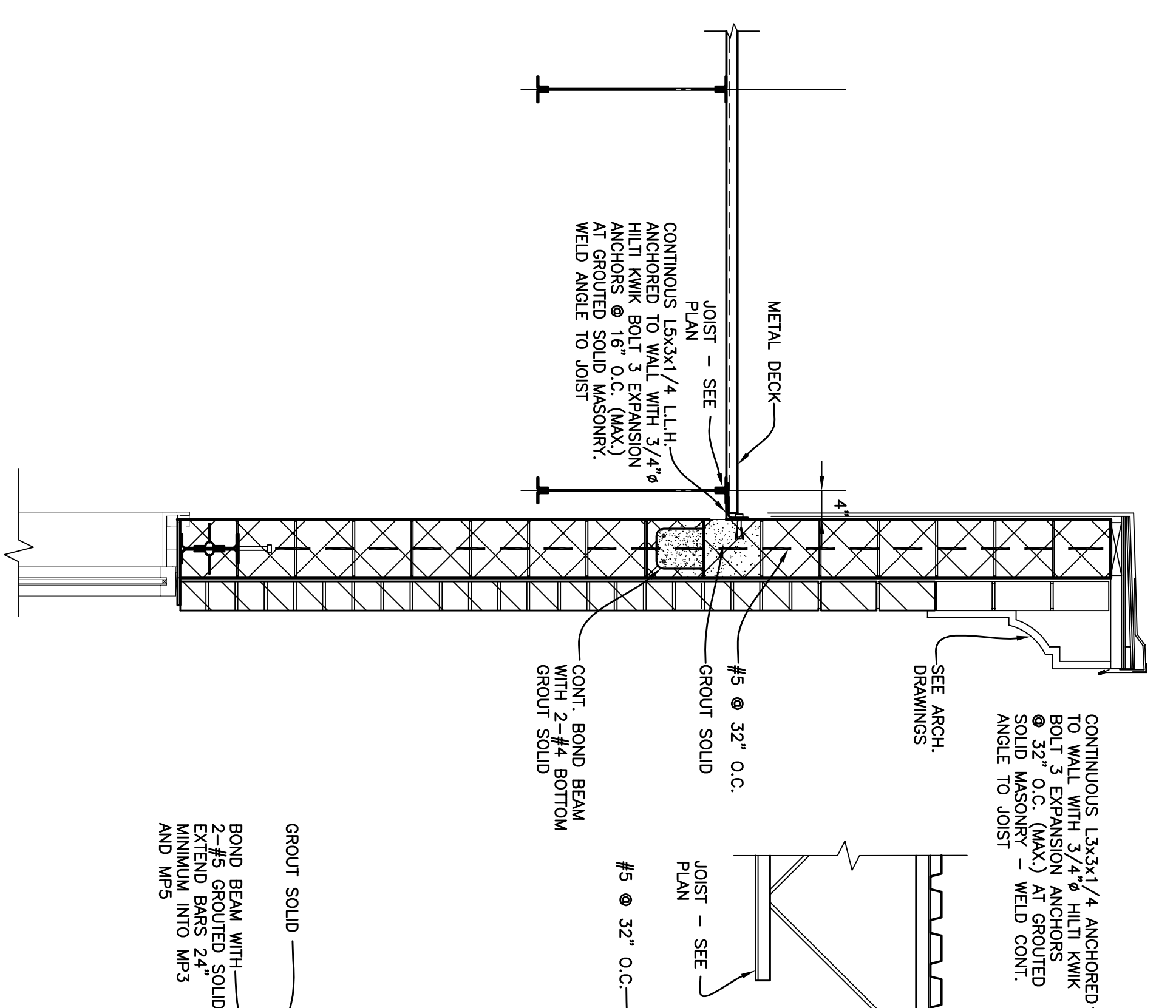
8 DETAIL
SCALE : NONE
TYP. HANGER AND/OR CONCENTRATED LOAD REQ'MENTS FOR STEEL JOISTS



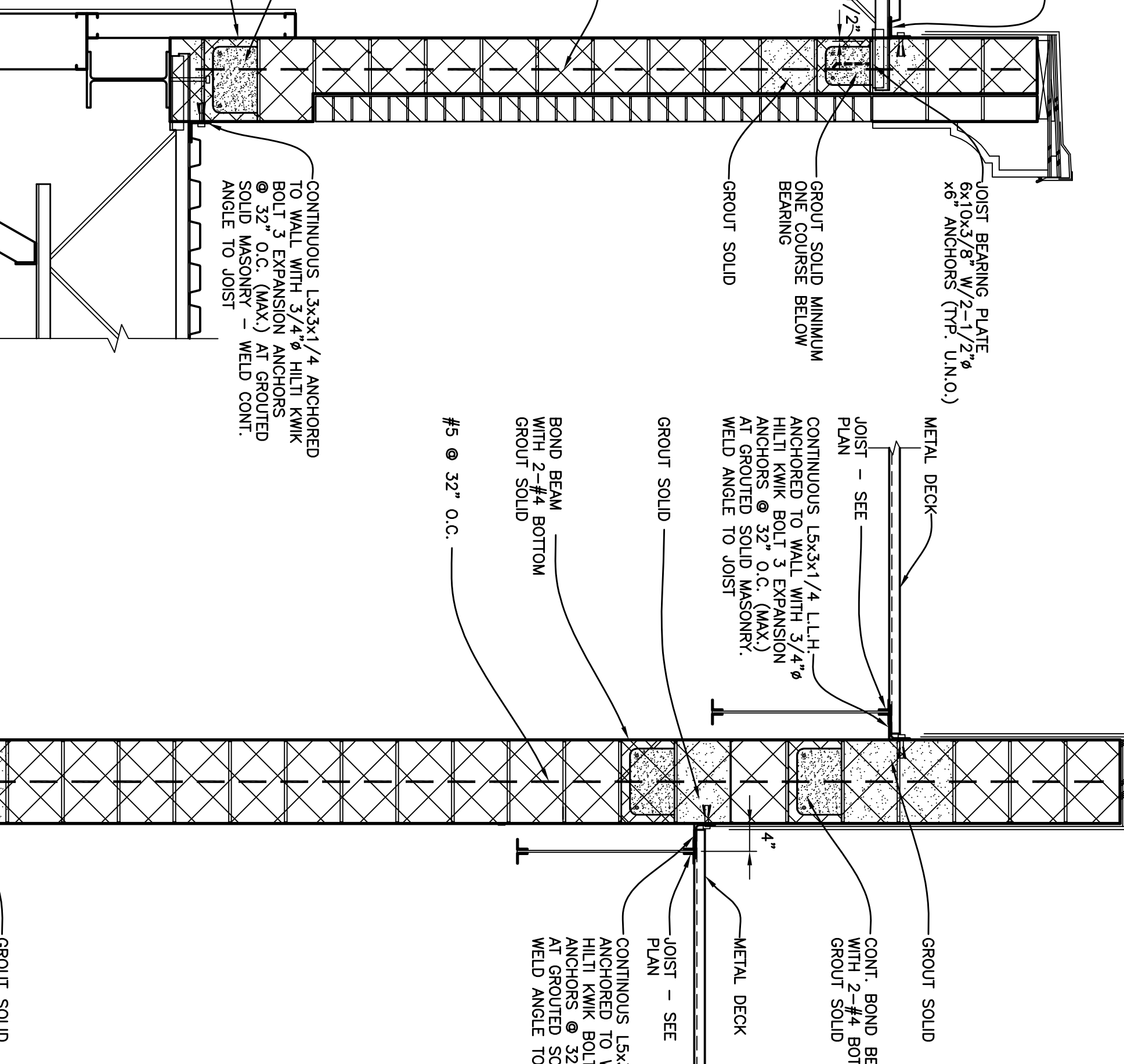
7 TYPICAL ROOF OPENING DETAIL
SCALE : 3/4\"/>



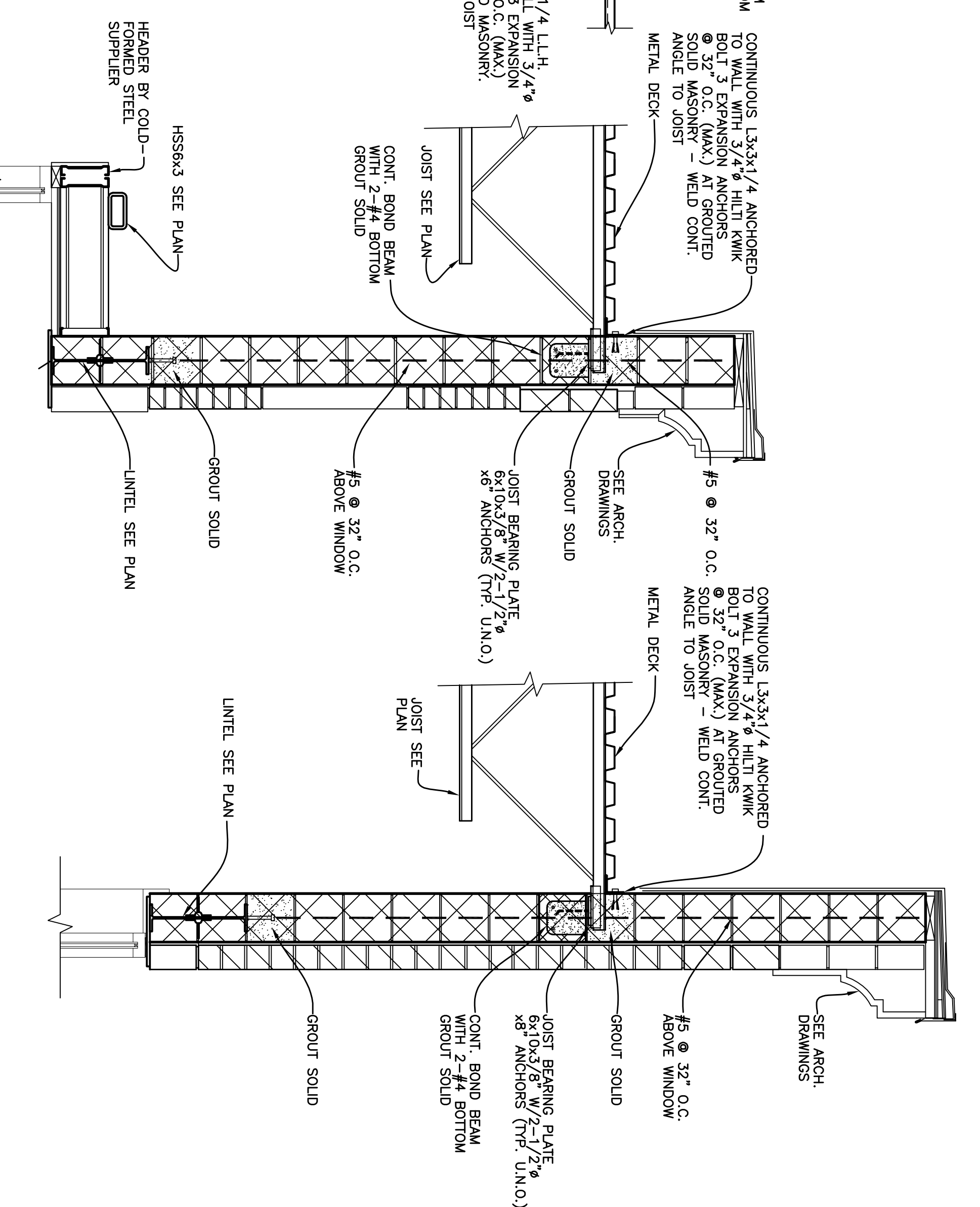
6 TYPICAL CAPPED COLUMN DETAIL
SCALE : 3/4\"/>



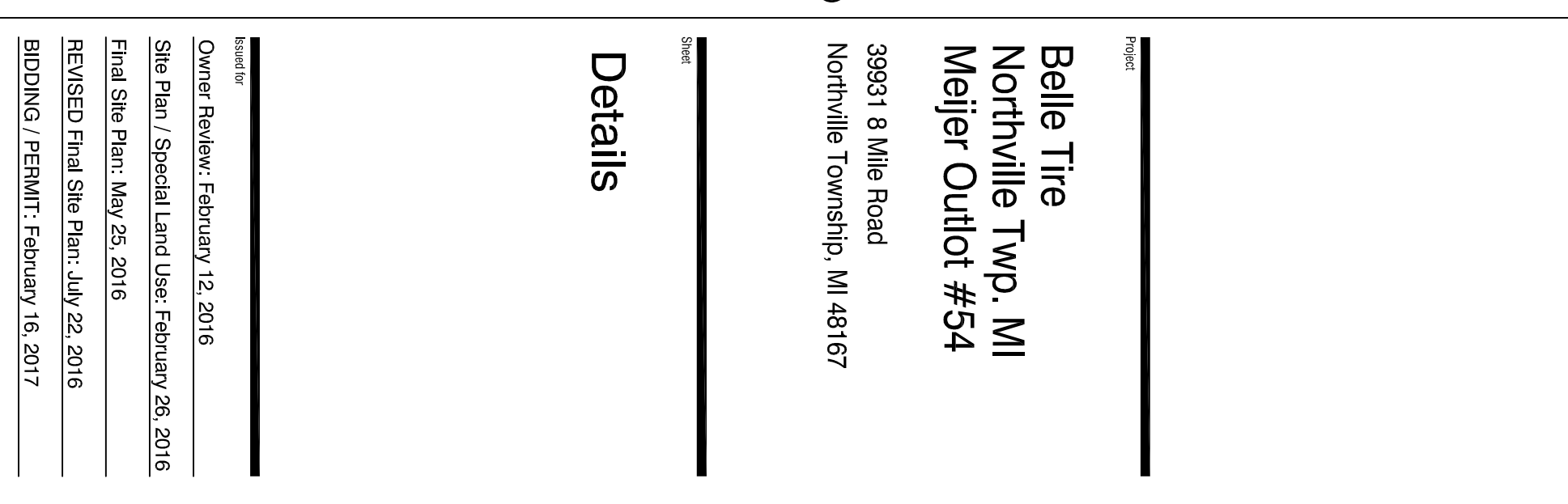
5 JOIST PARALLEL TO MASONRY WALL
SCALE : 3/4\"/>



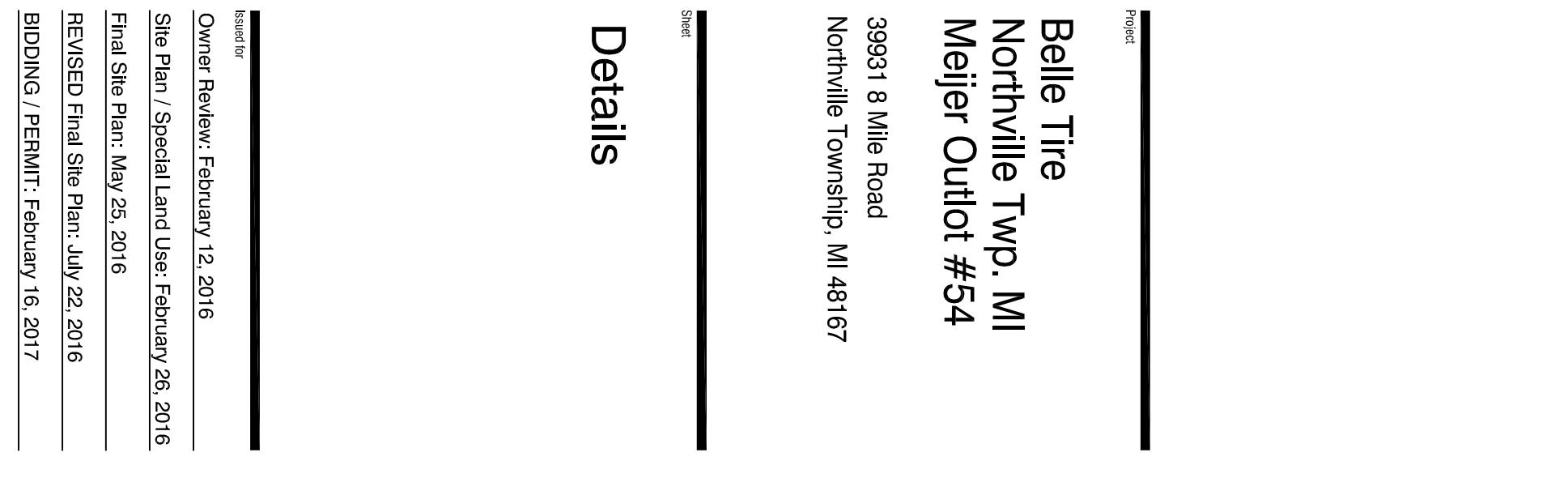
4 SECTION AT HIGH & LOW ROOF
SCALE : 3/4\"/>



3 SECTION AT HIGH & LOW ROOF
SCALE : 3/4\"/>



2 SECTION
SCALE : 3/4\"/>



1 TYPICAL JOIST BEARING ON EXTERIOR WALL
SCALE : 3/4\"/>

628 E. Parent Avenue
Suite 106
Royal Oak, MI 48067
Tel: 248.330.2395 (MI)
248.330.2395 (CA)
central@engrarchitects.com

Shymanski & Associates, L.L.C.
STRUCTURAL ENGINEERS
33261 FIVE MILE AVE. N.E.
LANSING, MICHIGAN 48154
PH: 734.855.4810 FX: 734.855.4809
central@shymanskiandassociates.com

Consoprofil
FLOORING CONTRACTORS
39931 8 Mile Road
Northville Township, MI 48167

Owner Review: February 12, 2016
Site Plan / Special Land Use: February 28, 2016
Final Site Plan: May 25, 2016
REVISED Final Site Plan: July 22, 2016
BIDDING / PERMIT: February 16, 2017

15-540
S300